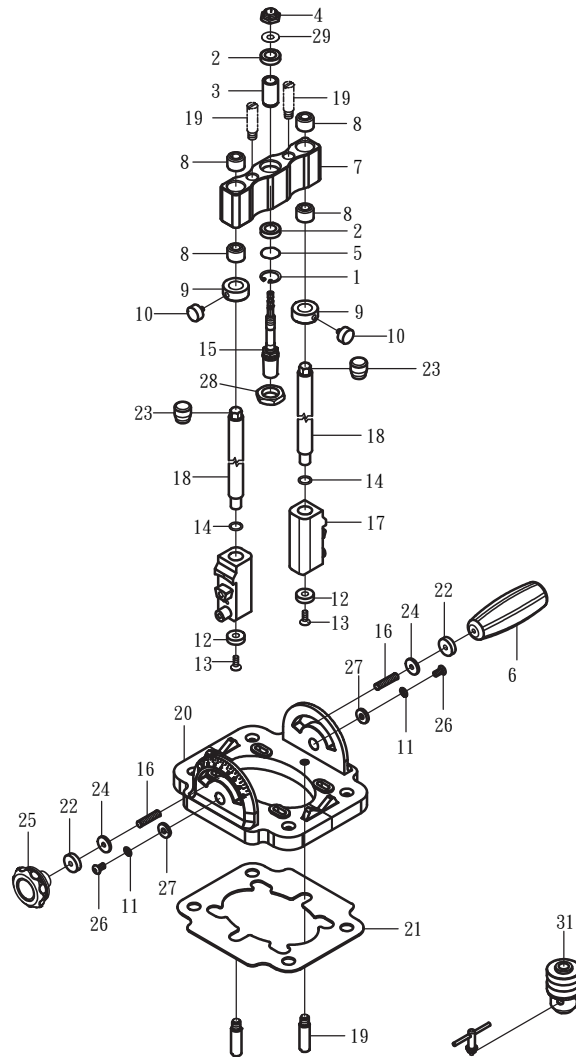


MAGNUM

INDUSTRIAL

PARTS LIST FOR MI-99715



ITEM NO.	DESCRIPTION	SPECIFICATION	Q'ty	ITEM NO.	DESCRIPTION	SPECIFICATION	Q'ty
MI-99715-01	Retaining Ring	R19	1	MI-99715-17	Angle Base		2
MI-99715-02	Ball Bearing	6800ZZ	2	MI-99715-18	Guide Post		2
MI-99715-03	Spacer		1	MI-99715-19	Pin		2
MI-99715-04	Hex Nut	M10	1	MI-99715-20	Base		1
MI-99715-05	Wave Washer		1	MI-99715-21	Rubber Pad		1
MI-99715-06	Handle Knob	M6X15	1	MI-99715-22	Collar Spacer		2
MI-99715-07	Spindle Housing		1	MI-99715-23	Rubber Cap		2
MI-99715-08	Bushing		4	MI-99715-24	Plastic Washer		2
MI-99715-09	Location Ring		1	MI-99715-25	Lock		1
MI-99715-10	Brass Bolt		1	MI-99715-26	Hex Socket Cap Screw	M5X10	2
MI-99715-11	Lock Grommet	M5	2	MI-99715-27	Washer		2
MI-99715-12	Washer		2	MI-99715-28	Hex Nut	M16	1
MI-99715-13	Flat Head Cap Screw	M6X16	2	MI-99715-29	Washer		1
MI-99715-14	O-Ring		2	MI-99715-30	Drill Chuck(Optional)	10mm	1
MI-99715-15	Spindle	JT2S	1	MI-99715-31	Drill Chuck(Optional)	13mm	1
MI-99715-16	Set Screw	M6X30	2				