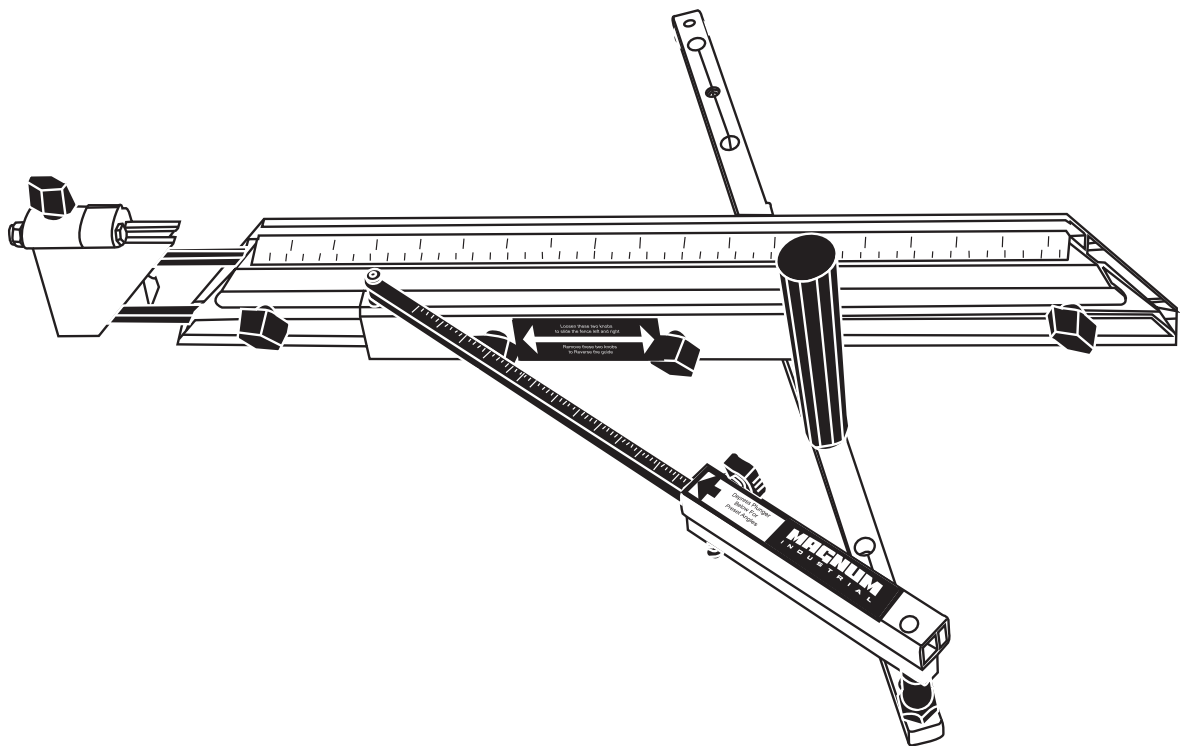


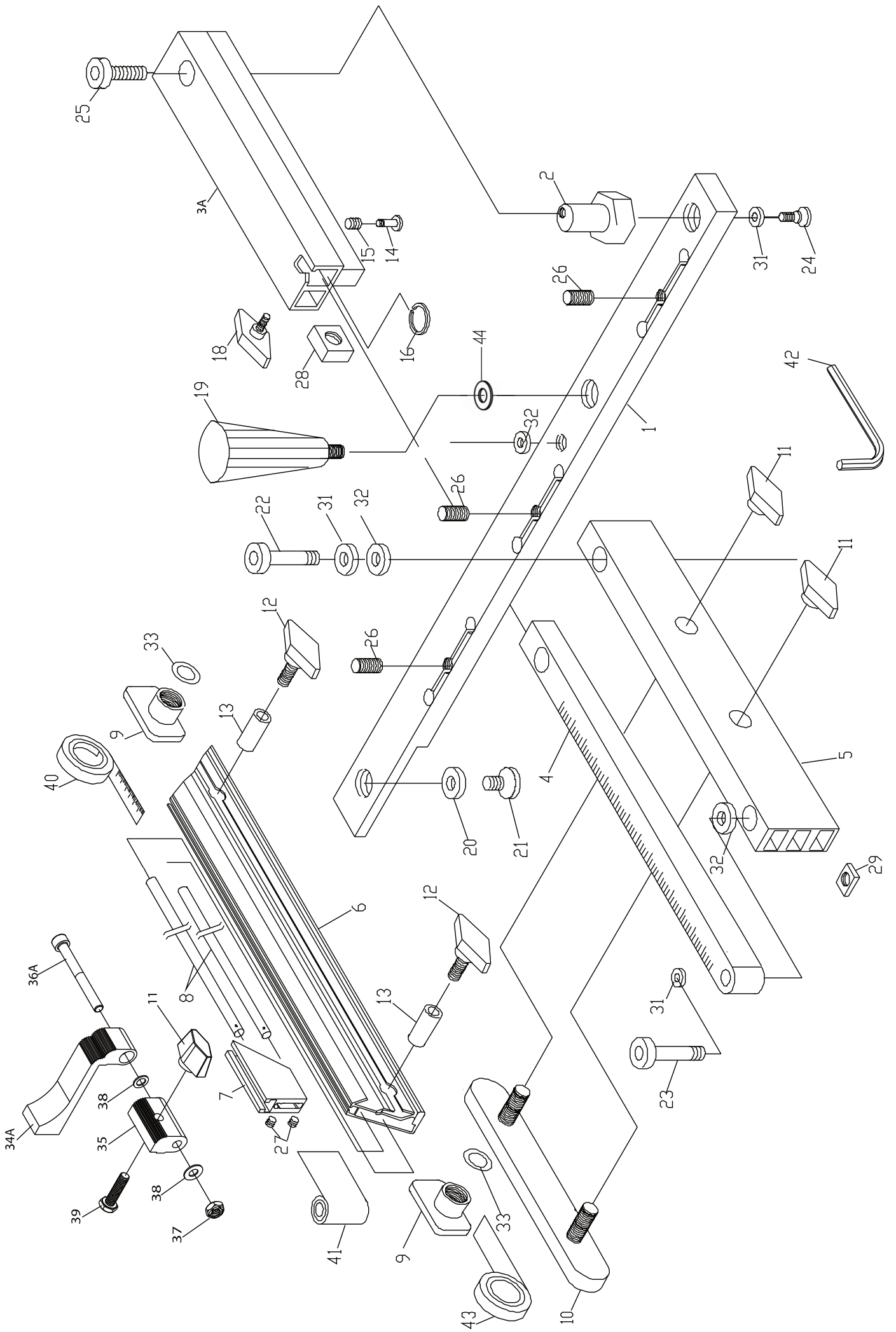
# MAGNUM

## INDUSTRIAL

**MODEL NO.: MI-99520**



***PARTS BREAKDOWN***



## PARTS LIST FOR MI-99520

PART NO.	DESCRIPTION	SPECIFICATION	Q'TY
MI-99520-1	GUIDE BAR		1
MI-99520-2	ADJUSTER		1
MI-99520-3A	OUTER BRACE		1
MI-99520-4	INNER BRACE		1
MI-99520-5	FENCE MOUNT		1
MI-99520-6	FENCE		1
MI-99520-7	FENCE EXTENSION		1
MI-99520-8	FENCE EXTENSIONBAR		2
MI-99520-9	EXTENSION BAR CLAMP PLATE		2
MI-99520-10	FENCE CLAMP BAR		1
MI-99520-11	FENCE CLAMP KNOB		3
MI-99520-12	EXTENSION CLAMP KNOB		2
MI-99520-13	EXTENSION CLAMP KNOB SPACER		2
MI-99520-14	DETENT PLUNGER		1
MI-99520-15	DETENT PLUNGER SPRING		1
MI-99520-16	E-CLIP		1
MI-99520-18	ANGLE CLAMP KNOB		1
MI-99520-19	HANDLE		1
MI-99520-20	RETAINER WASHER		1
MI-99520-21	FLATHEAD SCREW	M6	1
MI-99520-22	SHOULDER BOLT	M6X40	1
MI-99520-23	SHOULDER BOLT	M6X35	1
MI-99520-24	SHOULDER BOLT	M6X6	1
MI-99520-25	SOCKET HEAD SCREW	M5	1
MI-99520-26	GUIDE BAR ADJUSTING SCREW		3
MI-99520-27	SET SCREW	#10	2
MI-99520-28	SQUARE NUT	M6	1
MI-99520-29	SQUARE NUT	M5	1
MI-99520-31	LOCK WASHER		3
MI-99520-32	FLAT WASHER		3
MI-99520-33	EXTENSION CLAMP O-RING		2
MI-99520-34A	FLIP STOP		1
MI-99520-35	FLIP STOP MOUNT		1
MI-99520-36A	HEX.BOLT	1/4"X21/2"	1
MI-99520-37	NYLON INSERT NUT	1/4"	1
MI-99520-38	PLASTIC WASHER	1/2"	2
MI-99520-39	HEX.BOLT	1/4"X1"	1
MI-99520-40	TAPE MEASURE		1
MI-99520-41	(SANDPAPER) NON-SKID SURFACE		1
MI-99520-42	ALLEN KEY		1
MI-99520-43	GLIDE TAPE		1
MI-99520-44	WASHER	18*10.5*1.0t	1