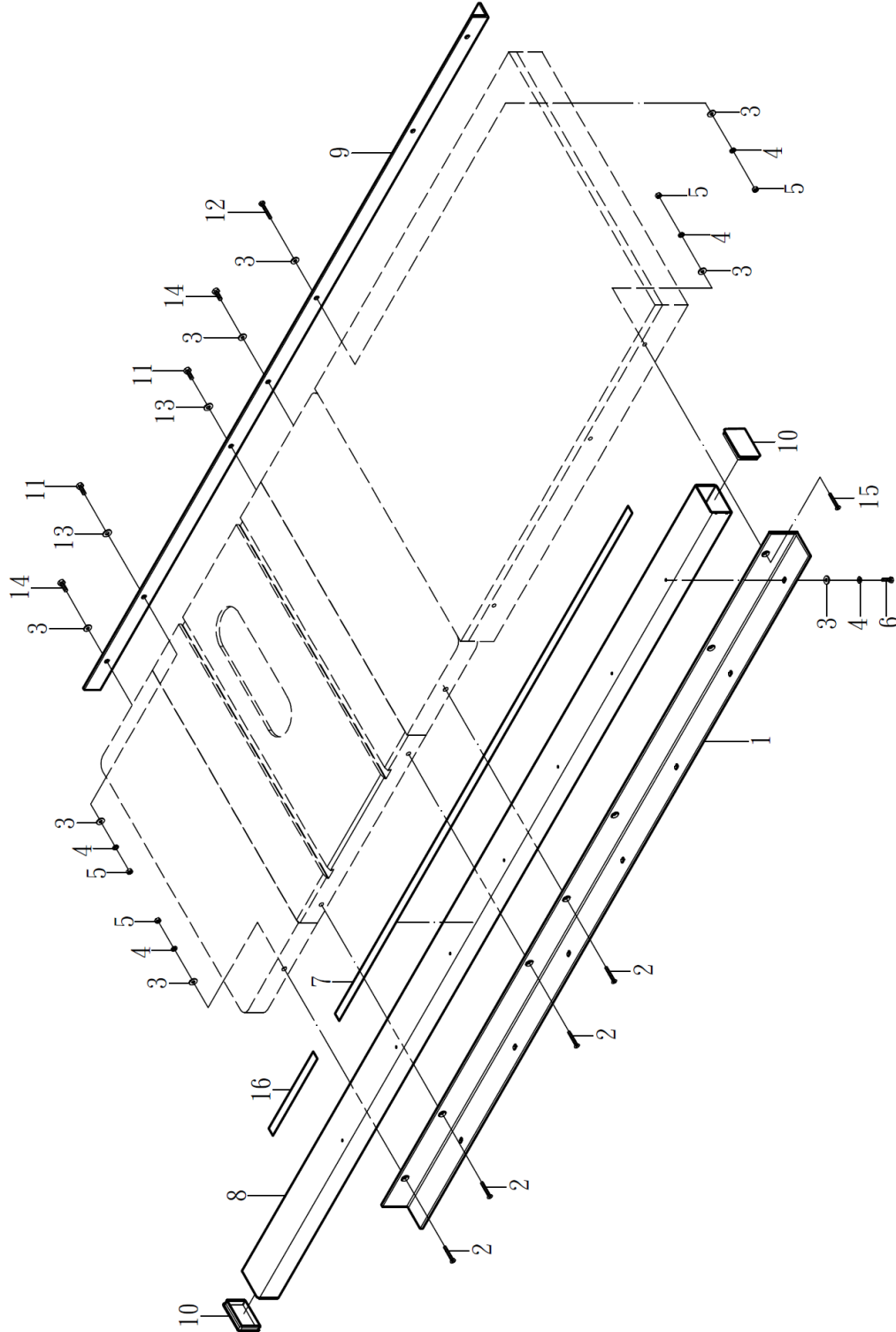


# Rail Assembly

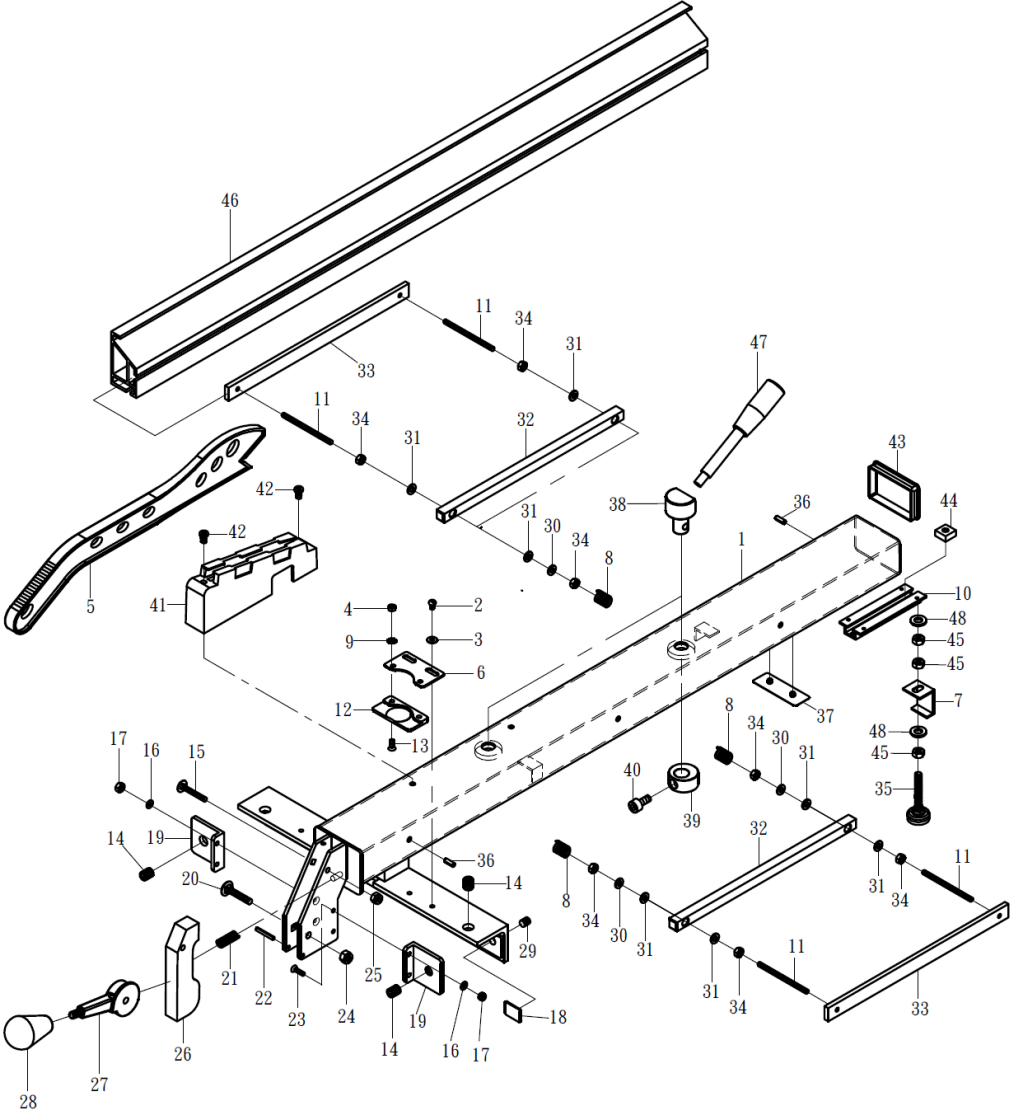
" Bolt package and scales are located inside guide rail # 8 remove plastic end cap to access "



### Rail Assembly

PART NO.	DESCRIPTION	SPECIFICATION	QTY
MI-51350-1R	Front Rail		1
MI-51350-2R	Flat Head Screw	1/4"×1-1/4"	4
MI-51350-3R	Flat Washer	1/4"	15
	Flat Washer(For Wood Table)	1/4"	24
MI-51350-4R	Lock Washer	1/4"	13
	Lock Washer(For Wood Table)	1/4"	19
MI-51350-5R	Hex Nut	1/4"	6
	Hex Nut(For Wood Table)	1/4"	12
MI-51350-6R	Hex Cap Screw	1/4"X3/4"	7
MI-51350-7R	Scale		1
MI-51350-8R	Guide Rail		1
MI-51350-9R	Rear Rail		1
MI-51350-10R	Guide Cover		2
MI-51350-11R	Hex Cap Screw	5/16"×3/4"	2
MI-51350-12R	Hex Cap Screw(For Wood Table)	1/4"×1-3/4"	3
MI-51350-13R	Flat Washer	5/16"	2
MI-51350-14R	Hex Cap Screw	1/4"×1-1/4"	2
MI-51350-15R	Flat Head Screw(For Wood	1/4"×1-3/4"	3
MI-51350-16R	Scale		1

# Fence Assembly



### Fence Assembly

PART NO.	DESCRIPTION	SPECIFICATION	QTY
MI-51350-F1	Fence Body Assembly		1
MI-51350-F2	Round Head Screw	M5×8	4
MI-51350-F3	Flat Washer	M5	4
MI-51350-F4	Hex Nut	M5	4
MI-51350-F5	Push Stick		1
MI-51350-F6	Cursor Bracket		2
MI-51350-F7	Hook		1
MI-51350-F8	Spring		4
MI-51350-F9	Flat Washer	M5	4
MI-51350-F10	Foot Slide		1
MI-51350-F11	Screw	M6×78	4
MI-51350-F12	Cursor		2
MI-51350-F13	Flat Head Screw	M5×12	4
MI-51350-F14	Nylon Adjustment Screw		4
MI-51350-F15	Carriage Bolt	1/4×1-1/2 "	1
MI-51350-F16	Flat Washer	M5	4
MI-51350-F17	Nylon Nut	M5	4
MI-51350-F18	Pad Set		2
MI-51350-F19	Bracket		4
MI-51350-F20	Carriage Bolt	3/8×1-1/2 "	1
MI-51350-F21	Spring		1
MI-51350-F22	Lock Pin	M4×28	1
MI-51350-F23	Flat Head Socket Screw	M5×16	4
MI-51350-F24	Nylon Nut	3/8"	1
MI-51350-F25	Nylon Nut	1/4"	1
MI-51350-F26	Lock Piece		1
MI-51350-F27	Lock Handle W/Cam		1
MI-51350-F28	Knob	3/8"	1
MI-51350-F29	Set Screw	3/8×3/8" "	2
MI-51350-F30	Lock Washer	M6	4
MI-51350-F31	Flat Washer	M6	8
MI-51350-F32	Lock Block		2
MI-51350-F33	Lock Bar		2
MI-51350-F34	Hex Nut	M6	8
MI-51350-F35	Foot	5/16"×2"	1
MI-51350-F36	Lock Pin	M5×12	2
MI-51350-F37	Pad		1
MI-51350-F38	Handle Bar		2
MI-51350-F39	Eccentric Wheel		2
MI-51350-F40	Hex Socket Cap Screw	M8×16	2
MI-51350-F41	Push Stick Base		1
MI-51350-F42	Round Head Screw	1/4" ×1/2"	2
MI-51350-F43	Tube Cover		1
MI-51350-F44	Hex Nut	5/16"	1
MI-51350-F45	Hex Nut	5/16"	1
MI-51350-F46	Stop Profile		1
MI-51350-F47	Knob	M10×14	1
MI-51350-F48	Flat Washer	M8	2