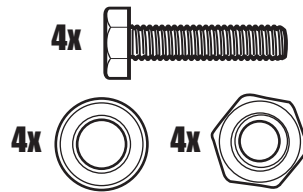




MI-99265 LATHE GUARD

Mounting hardware required for installation (not included)

- 4 hex head bolts
- 4 flat washers
- 4 hex nuts



Select bolts that will fit 9 mm (3/8") mounting holes.

ASSEMBLY AND INSTALLATION INSTRUCTIONS

1. Mark the center of the lathe bed (A) and place the main mounting bracket roughly centered against the bed to mark required hole placement (B).

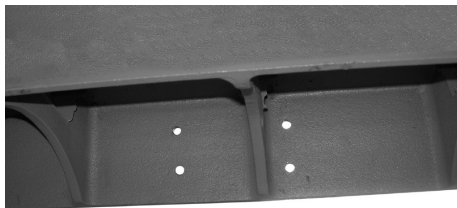
STEP 1



A.



B.



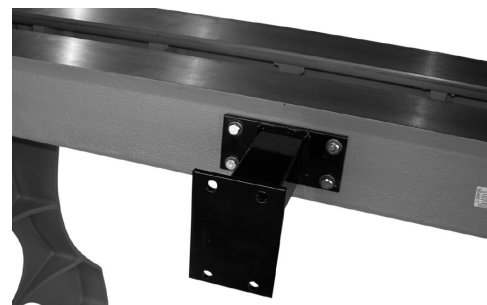
STEP 2

Note: Before drilling through the lathe bed, verify that non of the holes line-up with the inner ribbing (re-inforcement) in the bed casting. If so, move hole placement slightly left or right to avoid drilling into the ribs.

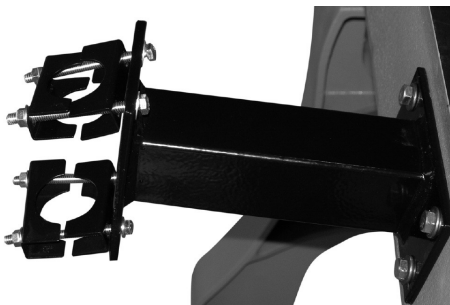
2. Drill 4 pilot holes using a small diameter bit. Change to a larger bit to match the size of the bolts used, and drill out the 4 mounting holes in the lathe bed.

3. Secure the mounting bracket to the lathe bed using your hardware (not supplied).

STEP 3



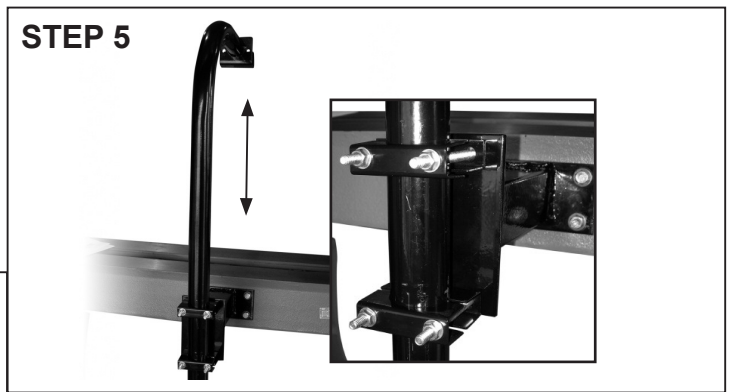
STEP 4



4. Using the 4 long bolts with matching nuts and 2 washers per bolt, install the 2 column clamps to the mounting bracket as shown.

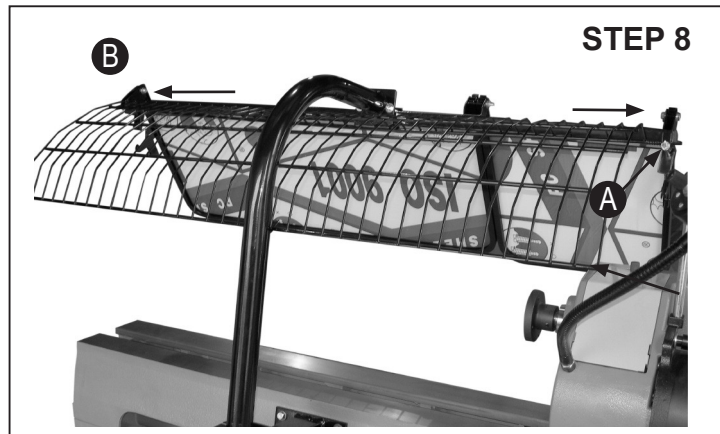
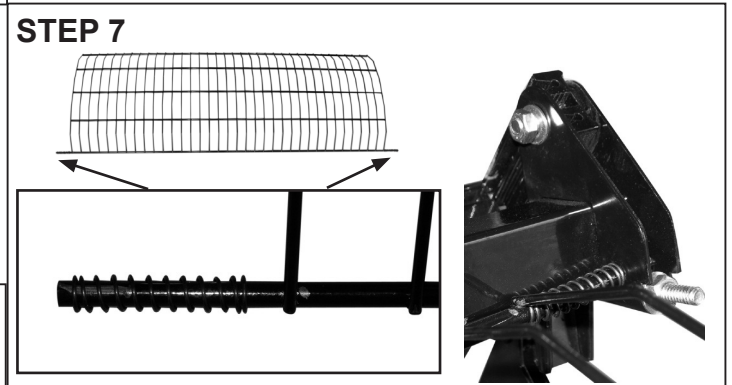
5. Fit the support column into the clamps and tighten down the nuts to secure it in place.

Note: The height of the column can be adjusted to suit the clearance needed for the shield depending on the size of your lathe.



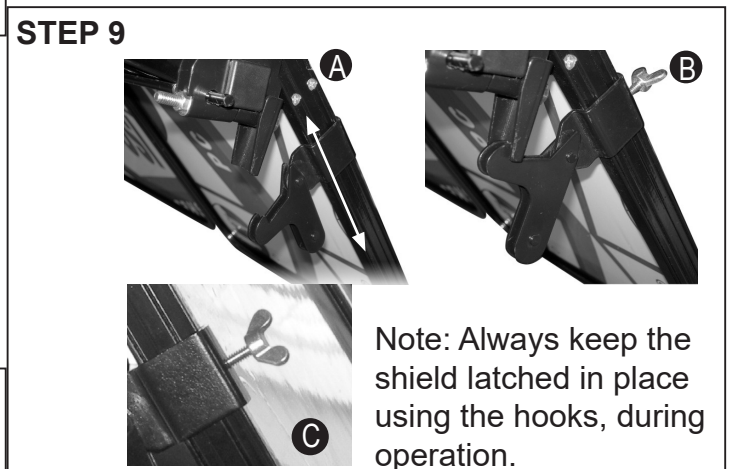
6. Fit the shield assembly into the bracket on the upper end of the support column (A) and secure it in place using the supplied hardware (B).

7. Install the cage, making sure the springs are on each end of the cage. Fit the cage onto the angled bracket on the support column. Install 1 pin into the mounting hole on shield bracket.

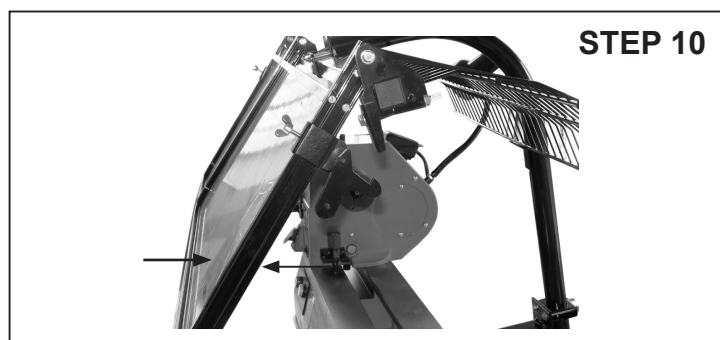


8. Push in towards the installed end (A) to fit the second pin in the other mounting hole (B).

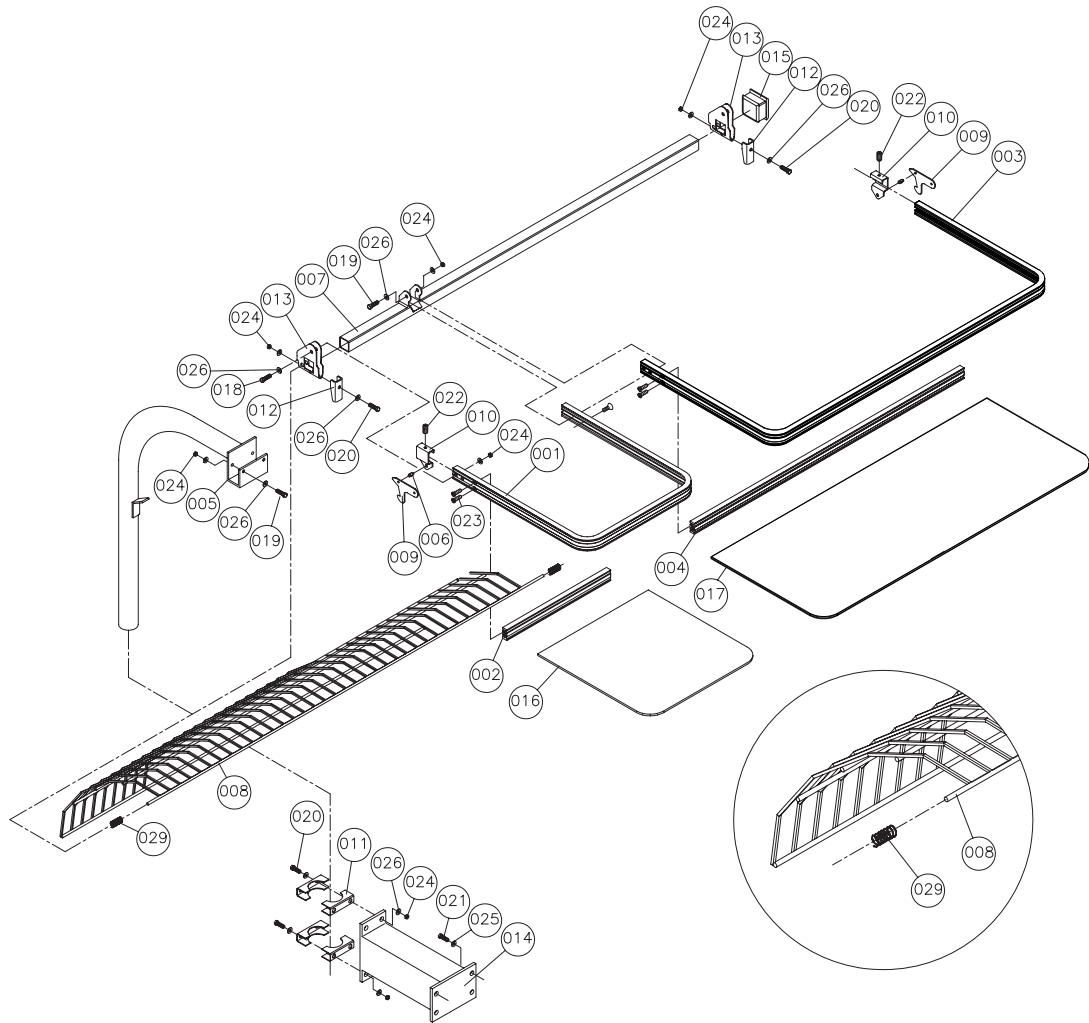
9. Slide the shield hook brackets (A) into place at each end on the shield to allow the hook to clasp the latch (B). With the hook in place, apply slight downward pressure on the hook to tension it, and at the same time secure the brackets using the supplied thumbscrews (C).



Note: Always keep the shield latched in place using the hooks, during operation.



10. Carefully remove the protective plastic film from both sides of each window.

PARTS LIST FOR MI-99265


ITEM #	DESCRIPTION	SPECIFICATION	Q'TY
MI-99265-01	SMALLUFRAME		1
MI-99265-02	SHORTSHIELDFRAME		1
MI-99265-03	LARGEUFRAME		1
MI-99265-04	LONGSHIELDFRAME		1
MI-99265-05	SHIELDSUPPORTCOLUMN		1
MI-99265-06	SHAFT		4
MI-99265-07	SUPPORTBEAM		1
MI-99265-08	CAGE		1
MI-99265-09	SHIELDHOOK		4
MI-99265-10	SHIELDHOOKBRACKET		2
MI-99265-11	COLUMNCLAMP		4
MI-99265-12	LATCH		2
MI-99265-13	ANGLEDBRACKET		2
MI-99265-14	COLUMNCLAMPINGPLATE		1
MI-99265-15	ENDCAP		2
MI-99265-16	SMALLSAFETYSHIELD		1
MI-99265-17	LARGESAFETYSHIELD		1
MI-99265-18	HEXHEADBOLT	1/4"-20UNCX1-1/4"L	2
MI-99265-19	HEXHEADBOLT	1/4"-20UNCX1-3/4"L	3
MI-99265-20	HEXHEADBOLT	1/4"-20UNCX3"L	4
MI-99265-21	HEXHEADBOLT	M8X1.25PX25L	4
MI-99265-22	SCREW	3/16"-24UNCX5L	2
MI-99265-23	WOODSCREW	M3.5X20L	8
MI-99265-24	HEXNUT	1/4"-20UNC	11
MI-99265-25	FLATWASHER	9X18X2T	4
MI-99265-26	FLATWASHER	7X16X1T	22
MI-99265-29	SPRING		2