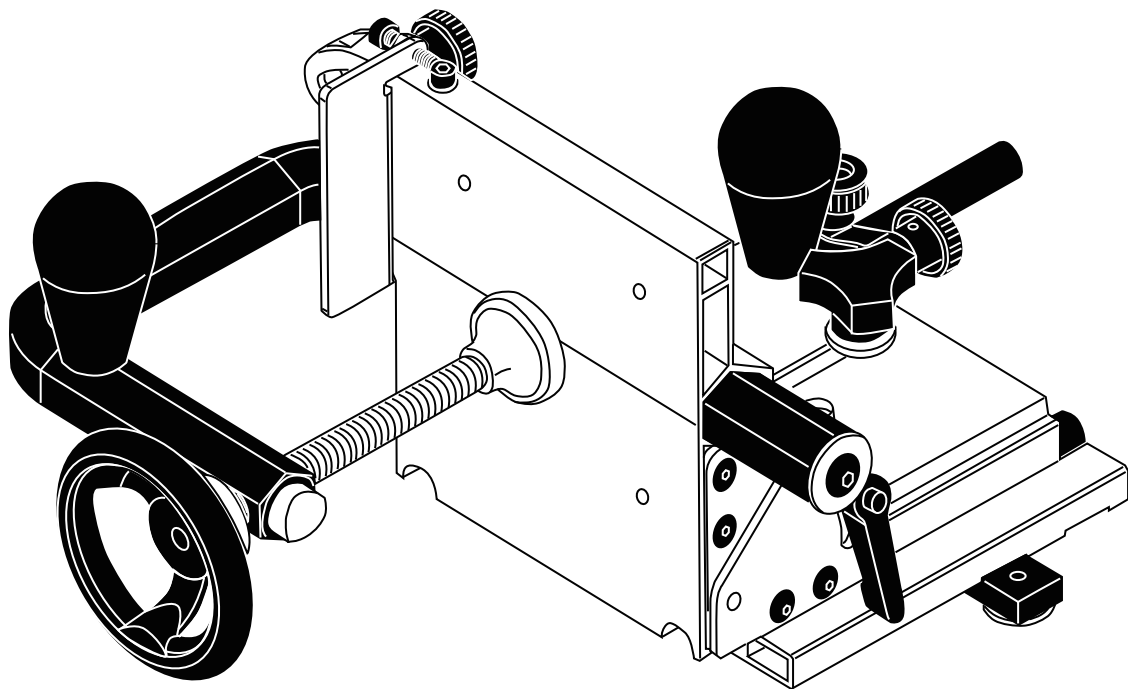


MAGNUM

INDUSTRIAL

MODEL NO.: MI-99004



PARTS BREAKDOWN

PARTS LIST FOR MI-99004



PARTS LIST FOR MI-99004

ITEM #	DESCRIPTION	SPECIFICATION	Q'TY
MI-99004-01	Cap screw	M5*0.8P*10L	2
MI-99004-02	Guide bar		1
MI-99004-03	Cap screw	M5*0.8P*12L	4
MI-99004-04	Plate		2
MI-99004-05	Base		1
MI-99004-06	Scale		1
MI-99004-07	Shaft		1
MI-99004-08	Shaft		1
MI-99004-09	Knob		1
MI-99004-10	Spring pin	3*16L	1
MI-99004-11	Block		1
MI-99004-12	Screw	M6*1.0*10L	1
MI-99004-13	Washer	8*18*2t	1
MI-99004-14	Hex nut	M10*1.5P	2
MI-99004-15	Screw		1
MI-99004-16	Bush		1
MI-99004-17	Collar		1
MI-99004-18	Slide		1
MI-99004-19	Collar		1
MI-99004-20	Flat washer	1/4"*19*2t	4
MI-99004-21	Handle	M6*1.0*24L	1
MI-99004-22	Washer	5/16"*30*3t	1
MI-99004-23	Knob	M8*1.25*37L	1
MI-99004-24	Round Head Hex Screw	M6*1.0P*6L	1
MI-99004-25	Pointer		1
MI-99004-26	Round Head Hex Screw	M6*1.0P*10L	4
MI-99004-27	Bracket		2
MI-99004-28	Nylon Washer	10*16*1t	4
MI-99004-29	Pin		2
MI-99004-30	Flat head Hex screw	M5*0.8P*10L	4
MI-99004-31	Bracket		1
MI-99004-32	Vertical Table		1
MI-99004-33	Bracket		1
MI-99004-34	Locking handle	M6*1.0P*10L	2

PARTS LIST FOR MI-99004

ITEM #	DESCRIPTION	SPECIFICATION	Q'TY
MI-99004-35	Cap screw	M5*0.8P*8L	1
MI-99004-36	Spring washer	M5	2
MI-99004-37	Screw	M6x23L	1
MI-99004-38	Nylon Nut	M6*1.0P	1
MI-99004-39	Washer	1/4"*13*1t	1
MI-99004-40	Back Stop		1
MI-99004-41	Cap screw	M5*0.8P*20L	1
MI-99004-42	Hex nut	M5*0.8P	1
MI-99004-43	Round Head Hex Screw	M6*1.0P*30L	1
MI-99004-44	Nut		1
MI-99004-45	Spring		1
MI-99004-46	Arm		1
MI-99004-47	Block		1
MI-99004-48	Screw		1
MI-99004-49	Hand wheel		1
MI-99004-50	Spring pin	3*24L	1
MI-99004-51	Washer	5/16"*27*2.5t	1
MI-99004-52	Round Head Hex Screw	M8*1.25P*12L	1
MI-99004-53	Allen Wrench	5mm	1
MI-99004-54	Allen Wrench	4mm	1
MI-99004-55	Plate		1
MI-99004-56	Hex nut	M6*1.0P	1
MI-99004-57	Hex screw	M6*1.0P*35L	1
MI-99004-58	Washer	8.3*16*1t*1.4H	1
MI-99004-59	Grip		1
MI-99004-60	Warning label		1
MI-99004-61	Handle	M6x1.0P-10L	1