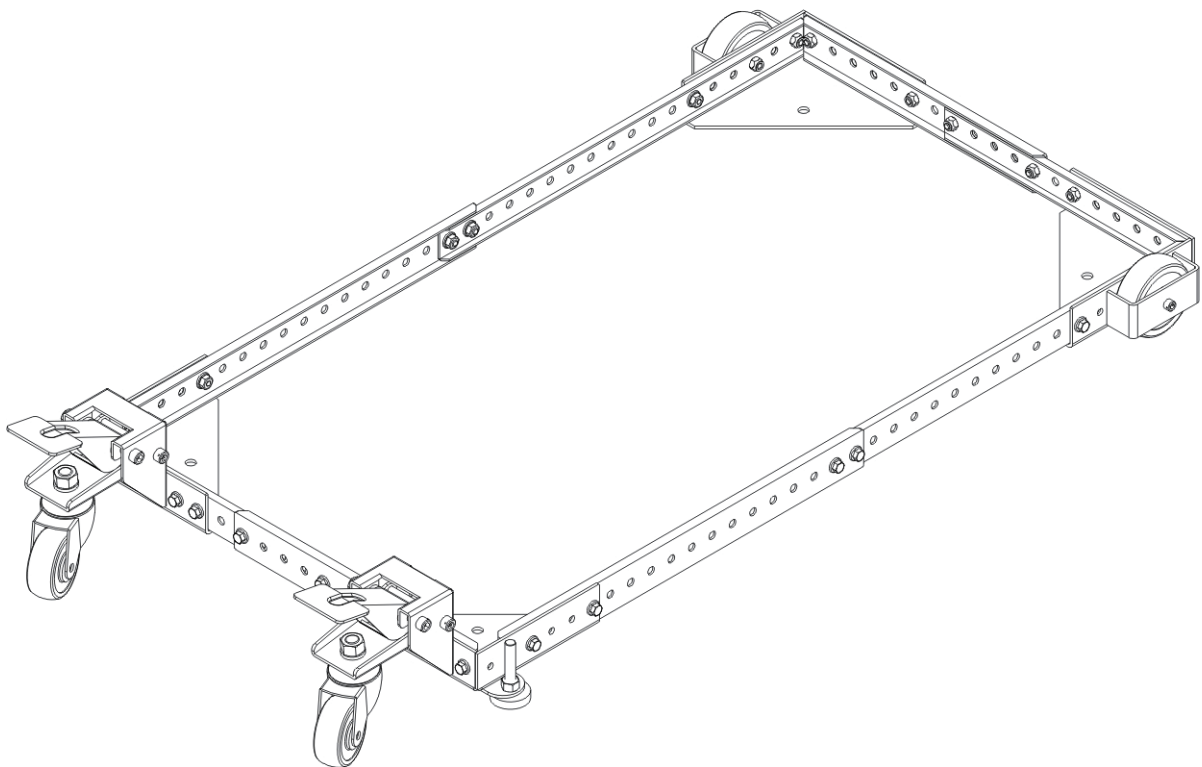


# **MAGNUM**

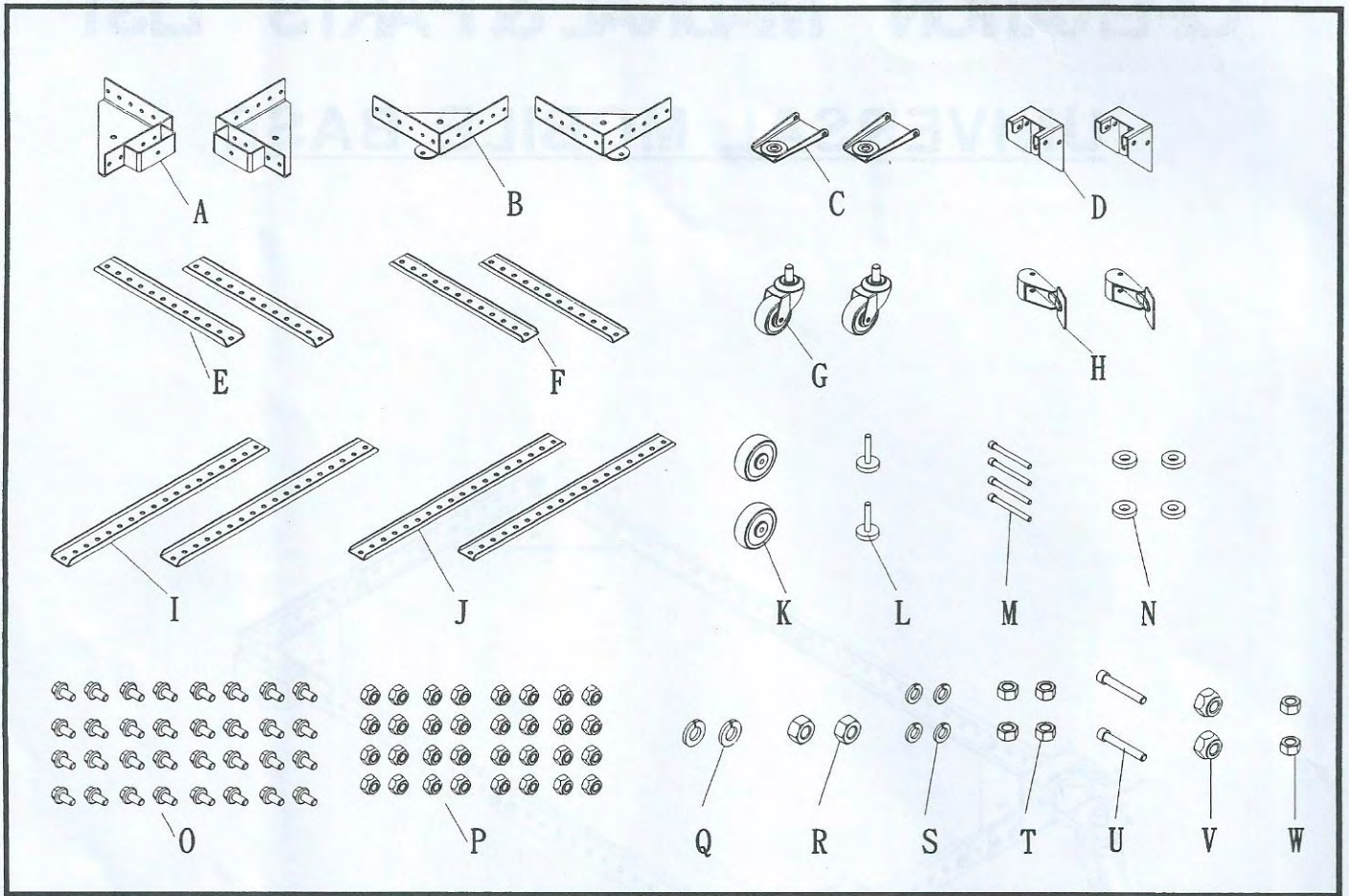
## **I N D U S T R I A L**

MODEL NO.: MI-99001



***OPERATING MANUAL***

# Unpacking & Checking Contents:



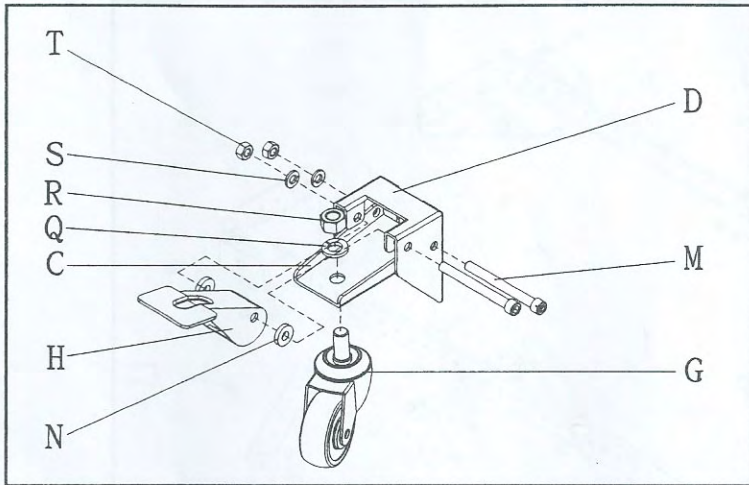
- A: Fixing Wheel Bracket(left, right) Rear
- B: Movable Wheel Front Bracket(left, right)
- C: Movable Plate
- D: Wheel Bracket
- E: Exterior Short Plate
- F: Interior Short Plate
- G: Movable Wheel
- H: Pedal
- I: Exterior Long Plate
- J: Interior Long Plate
- K: Fixing Wheel
- L: Foot Pad

- M: Cap. Screw 5/16" \* 3-1/2"
- N: Anti-Shaking Pad
- O: Hex. Screw 1/4" \* 1/2"
- P: Nut 1/4"
- Q: Spring Washer 1/2"
- R: Nut 1/2"
- S: Spring Washer 5/16"
- T: Nut 5/16"
- U: Cap. Screw 1/4" \* 1-3/4"
- V: Lock Nut 1/4"
- W: Nut 3/8"

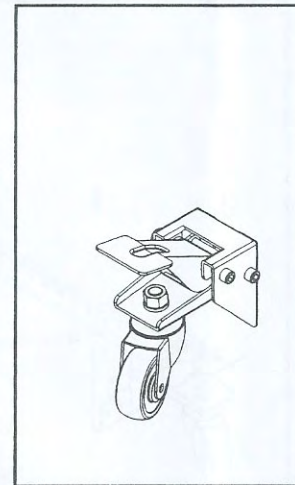
READ THIS MANUAL CAREFULLY  
BEFORE ASSEMBLY, TESTING & OPERATION

**Step 1.**

Take the wheel bracket (D), movable plate (C), pedal(H), movable wheel(G), anti-shacking pad (N), spring washer 1/2" (Q), nut 1/2" (R), nut 5/16"(T), spring washer 5/16" (S), cap screw 5/16"\*3-1/2" (M), tight together. (see Fig. 1) Please see (Fig. 2) To see the complete wheel set.



(FIG. 1)



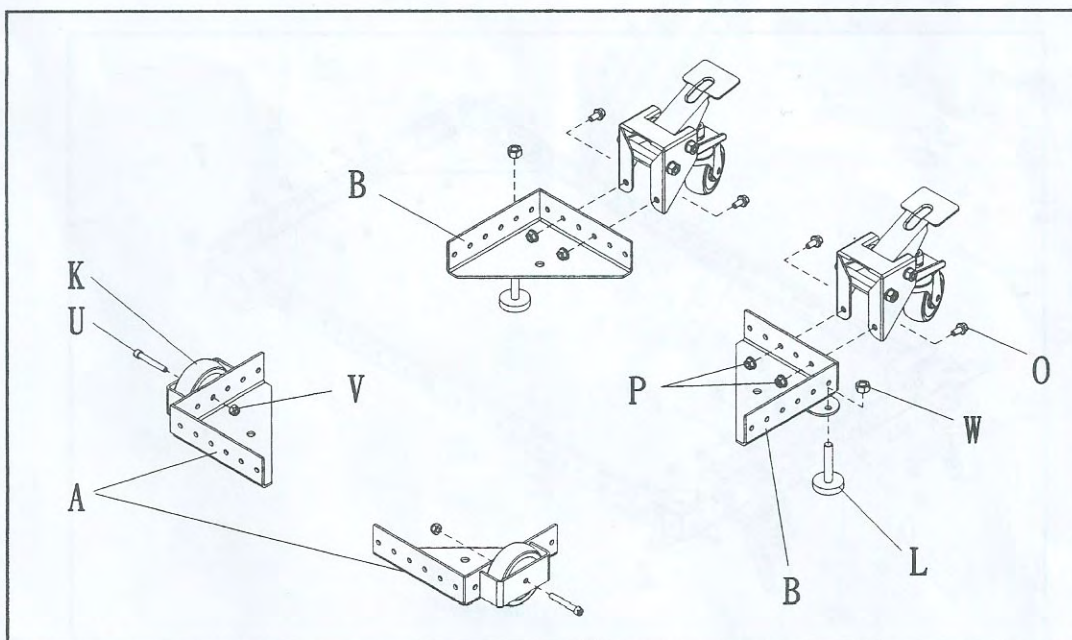
(FIG. 2)

**STEP 2.**

Take the fixing wheel bracket(A), cap screw 1/4"\*1-3/4"(U), fixing wheel(K), Nut 1/4"(P), assemble together. (See Fig. 3)

**STEP 3.**

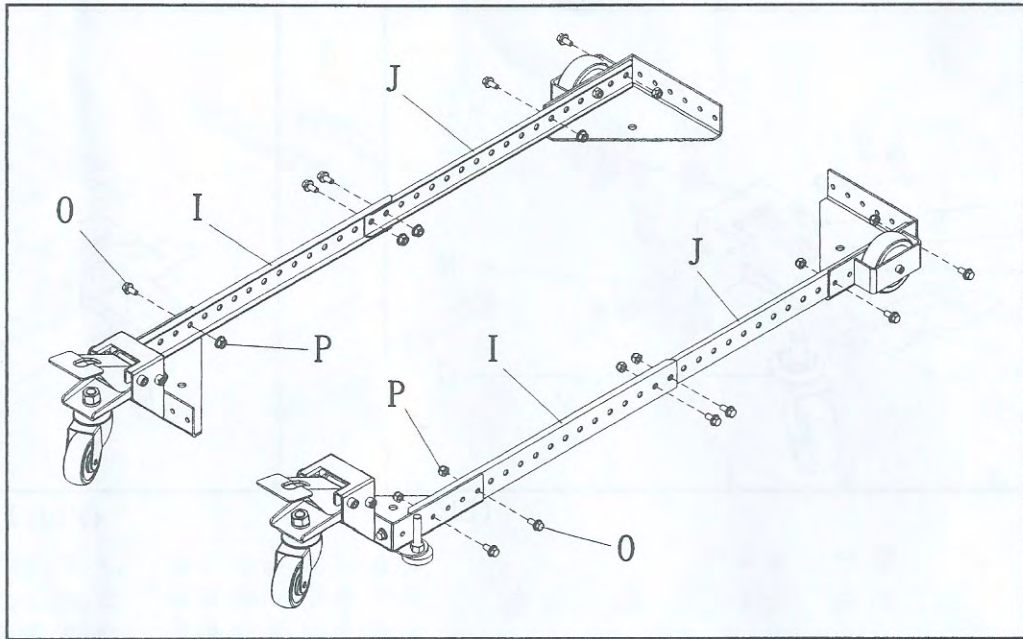
Take the movable wheel front bracket(B) assemble with the wheel set (Fig 2.) Together. Also tight the foot pad(L) on the bracket (B) with 3/8" nut (W). (See Fig. 3)



(FIG. 3)

**STEP 4.**

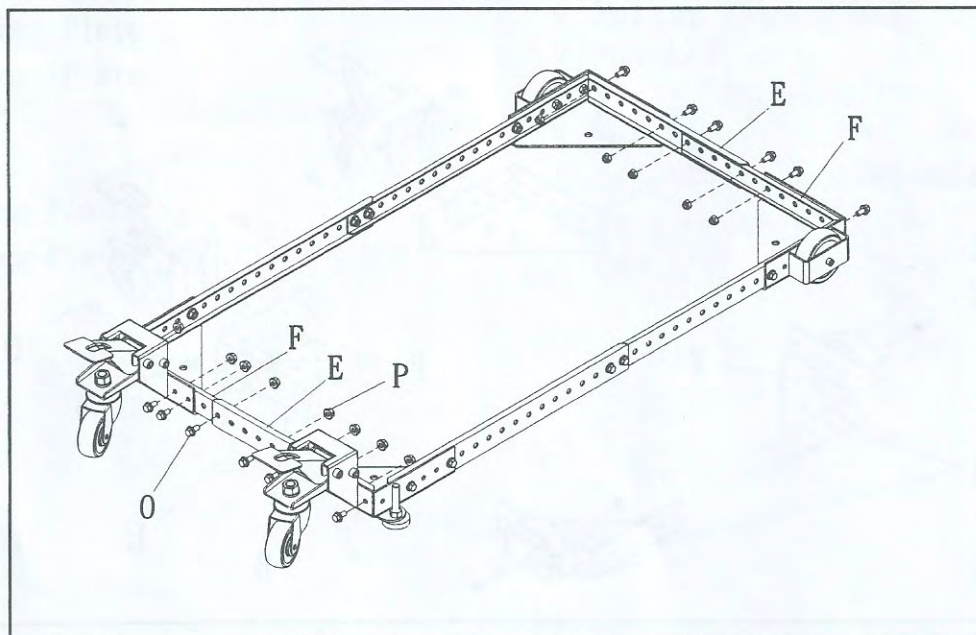
Measure the length of the machinery then tight the exterior long plate (I), interior long plate (J), with hex. screw 1/4"\*1/2" (O), nut 1/4" (P) together on the complete set in step 3. ( See Fig. 4 )



(FIG. 4)

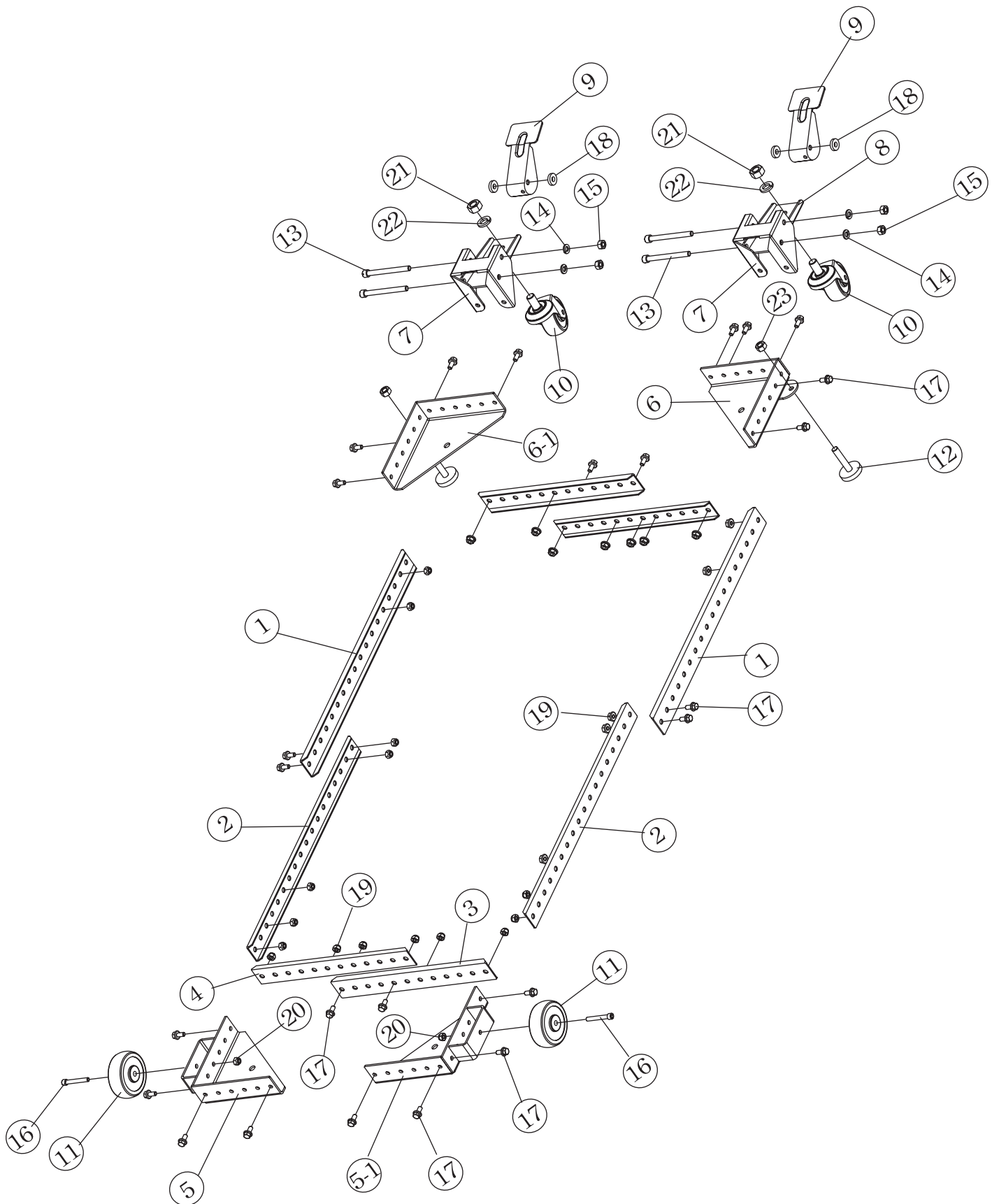
**STEP 5.**

Take the exterior short plate (E), interior short plate (F), hex. screw 1/4"\*1/2" (O), nut 1/4" (P) assemble together. (See Fig. 5) Then adjust the width as you need for the machinery. Assembly steps are all completed.



(FIG. 5)

# DIAGRAM



MI-99001 PARTS LIST

PART NO.	DESCRIPTION	SPECIFICATION	QTY
MI-99001-01	EXTERIOR LONG PLATE	17-1/2" x 1-1/2" (445 x 40 mm)	2
MI-99001-02	INTERIOR LONG PLATE	17-3/4" x 1-3/8" (450 x 35 mm)	2
MI-99001-03	EXTERIOR SHORT PLATE	11-1/2" x 1-1/2" (295 x 40 mm)	2
MI-99001-04	INTERIOR SHORT PLATE	11-3/4" x 1-3/8" (300 x 35 mm)	2
MI-99001-05	FIXED WHEEL MOUNTING BRACKET (LEFT) REAR		1
MI-99001-05-1	FIXED WHEEL MOUNTING BRACKET (RIGHT) REAR		1
MI-99001-06	FRONT CASTER BRACKET (RIGHT)		1
MI-99001-06-1	FRONT CASTER BRACKET (LEFT)		1
MI-99001-07	WHEEL BRACKET		2
MI-99001-08	CASTER MOUNTING PLATE		2
MI-99001-09	FOOT LEVER		2
MI-99001-10	CASTER	1/2" x 2-1/2" (12.7 x 63.5 mm)	2
MI-99001-11	FIXED WHEEL	5/16" x 3" (8 x 76.2 mm)	2
MI-99001-12	FOOT PAD	3/8" x 2" (9.5 x 51 mm)	2
MI-99001-13	CAP SCREW	5/16" x 3-1/2"	4
MI-99001-14	LOCK WASHER	5/16"	4
MI-99001-15	HEX NUT	5/16"	4
MI-99001-16	CAP SCREW	1/4" x 1-3/4"	2
MI-99001-17	FLANGE BOLT	1/4" x 1/2"	32
MI-99001-18	SPACER / BUSHING	Ø 8.5 x Ø 18 x 3.8 T	4
MI-99001-19	HEX NUT	1/4"	32
MI-99001-20	LOCK NUT	1/4"	2
MI-99001-21	HEX NUT	1/2"	2
MI-99001-22	LOCK WASHER	1/2"	2
MI-99001-23	HEX NUT	3/8"	2