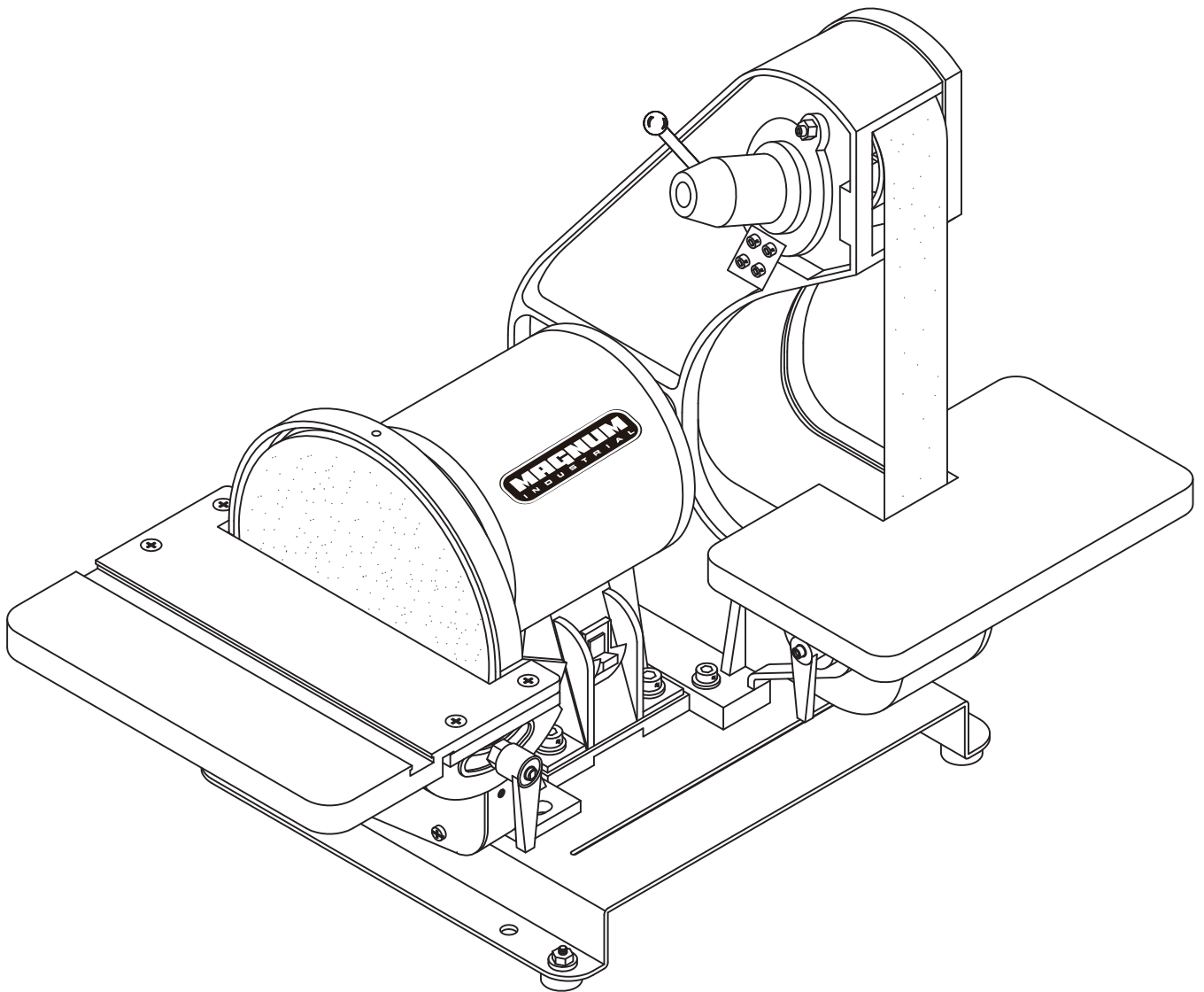


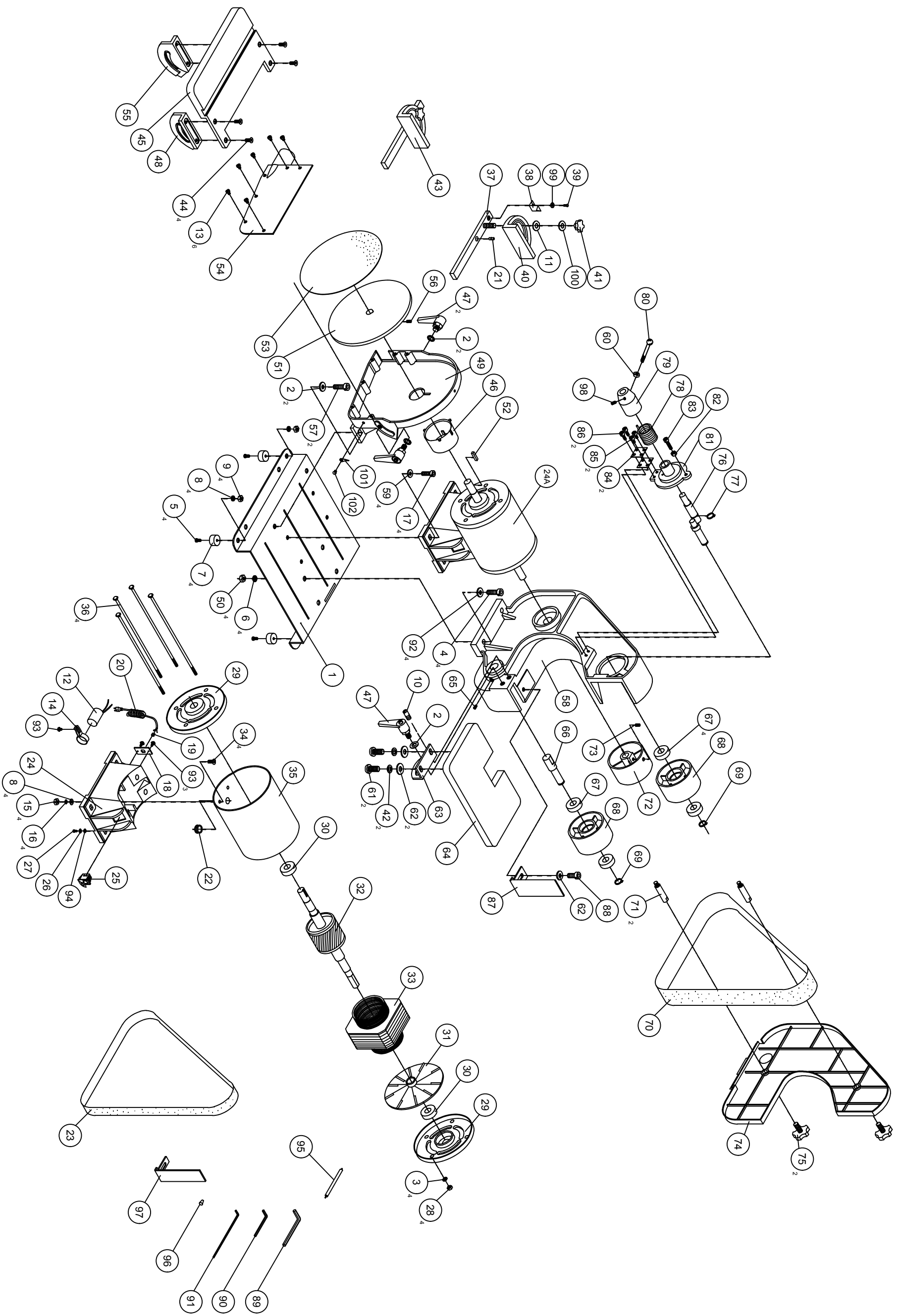
MAGNUM

I N D U S T R I A L

MODEL NO.: MI-16210



OPERATING MANUAL



PART LIST MI-16210

PARTS #	DESCRIPTION	SPECIFICATION	QTY
MI-16210-01	Base		1
MI-16210-02	Flat Washer	3/8"x19x2T	5
MI-16210-03	Spring Washer	M5	4
MI-16210-04	Socket Screw	M8x30mm	4
MI-16210-05	Hex Screw	1/4"x5/8"	4
MI-16210-06	Spring Washer	5/16"	4
MI-16210-07	Rubber Foot		4
MI-16210-08	Flat Washer	1/4"x16x2T	8
MI-16210-09	Hex Nut	1/4"	4
MI-16210-10	Screw	10x12mm	1
MI-16210-11	Plastic Washer		1
MI-16210-12	Capacitor	30UF/300V	1
MI-16210-13	Phillips Screw	3/16"x3/8"	6
MI-16210-14	Capacitor Clamp		1
MI-16210-15	Hex Nut	1/4"	4
MI-16210-16	Spring Washer	1/4"	4
MI-16210-17	Socket Screw	M8x25mm	4
MI-16210-18	Strain Relief Plate		1
MI-16210-19	Strain Relief	6N-4	1
MI-16210-20	Power Cord		1
MI-16210-21	Indexing plate shaft		1
MI-16210-22	Strain Relief Bushing	3/4"	1
MI-16210-23	Abrasive Belt	1x42	1
MI-16210-24	Motor Base		1
MI-16210-24A	Motor Assembly		1
MI-16210-25	Switch with key		1
MI-16210-26	Copper Washer		1
MI-16210-27	Phillips Screw w/Washer	3/16"x1/4"	1
MI-16210-28	Hex Nut	M5	4
MI-16210-29	End Shield		2
MI-16210-30	Bearing	6203ZZ	2
MI-16210-31	Motor Fan		1
MI-16210-32	Armature		1
MI-16210-33	Stator		1
MI-16210-34	Phillips Screw	1/4"x7/8"	4
MI-16210-35	Motor Housing		1
MI-16210-36	Phillips Screw w/Washer	M5x163mm	4
MI-16210-37	Bar		1
MI-16210-38	Pointer		1
MI-16210-39	Phillips Screw	3/16"x1/4"	1
MI-16210-40	Miter Body		1
MI-16210-41	Knob	1/4"x1"	1

PART LIST MI-16210

PARTS #	DESCRIPTION	SPECIFICATION	QTY
MI-16210-42	Spring Washer	M8	2
MI-16210-43	Miter Gauge Assembly		1
MI-16210-44	Phillips Screw	M6x15mm	4
MI-16210-45	Disc Table		1
MI-16210-46	Armature Guard		1
MI-16210-47	Handle	10x15mm	3
MI-16210-48	Right Trunnion		1
MI-16210-49	Disc Cover		1
MI-16210-50	Hex Nut	M8	4
MI-16210-51	Aluminum Disc	8"	1
MI-16210-52	Key	5x5x30	1
MI-16210-53	Abrasive Disc, 100 grit		1
MI-16210-54	Dust Chute		1
MI-16210-55	Left Trunnion		1
MI-16210-56	Set Screw	M6x6mm	1
MI-16210-57	Socket Screw	M10x20mm	2
MI-16210-58	Belt Housing		1
MI-16210-59	Flat Washer	5/16"x18x2T	4
MI-16210-60	Hex Nut	1/4"	1
MI-16210-61	Hex Screw	M8x16mm	2
MI-16210-62	Flat Washer	5/16"x18x2T	3
MI-16210-63	Belt Table Bracket		1
MI-16210-64	Belt Table		1
MI-16210-65	Set Screw	M8x12mm	1
MI-16210-66	Shaft		1
MI-16210-67	Bearing	6202ZZ	4
MI-16210-68	Idler Wheel		2
MI-16210-69	Retaining Ring	S-15	2
MI-16210-70	Abrasive Belt	2x42	1
MI-16210-71	Stand Off		2
MI-16210-72	Drive Wheel		1
MI-16210-73	Set Screw	M6x10mm	1
MI-16210-74	Belt Cover		1
MI-16210-75	Knob	M8x18mm	2
MI-16210-76	Tracking Wheel Cam Shaft		1
MI-16210-77	Retaining Ring	S-17	1
MI-16210-78	Tension Spring		1
MI-16210-79	Spring Cap		1
MI-16210-80	Handle with Knob		1
MI-16210-81	Tracking Bracket		1
MI-16210-82	Hex Nut	M6	1
MI-16210-83	Socket Screw	M6x20mm	1

PART LIST MI-16210

PARTS #	DESCRIPTION	SPECIFICATION	QTY
MI-16210-84	Fixing Plate		2
MI-16210-85	Socket Screw	M5x10mm	2
MI-16210-86	Socket Screw	M5x12mm	2
MI-16210-87	Belt Platen	2"	1
MI-16210-88	Socket Screw	M8x16mm	1
MI-16210-89	Hex Wrench	M6	1
MI-16210-90	Hex Wrench	M4	1
MI-16210-91	Hex Wrench	M3x140L	1
MI-16210-92	Flat Washer	5/16"x18x2T	4
MI-16210-93	Phillips Screw w/Washer	3/16"x1/4"	3
MI-16210-94	Serrated Washer	M5	1
MI-16210-95	Export Line		1
MI-16210-96	Terminal	A-3	1
MI-16210-97	Belt Platen	1"	1
MI-16210-98	Set Screw	1/4"x3/8"	1
MI-16210-99	Flat Washer	3/16"x10x1T	1
MI-16210-100	Flat Washer	1/4"x16x2T	1
MI-16210-101	Indicating Needle		1
MI-16210-102	Phillips Screw	3/16"x1/4"	1