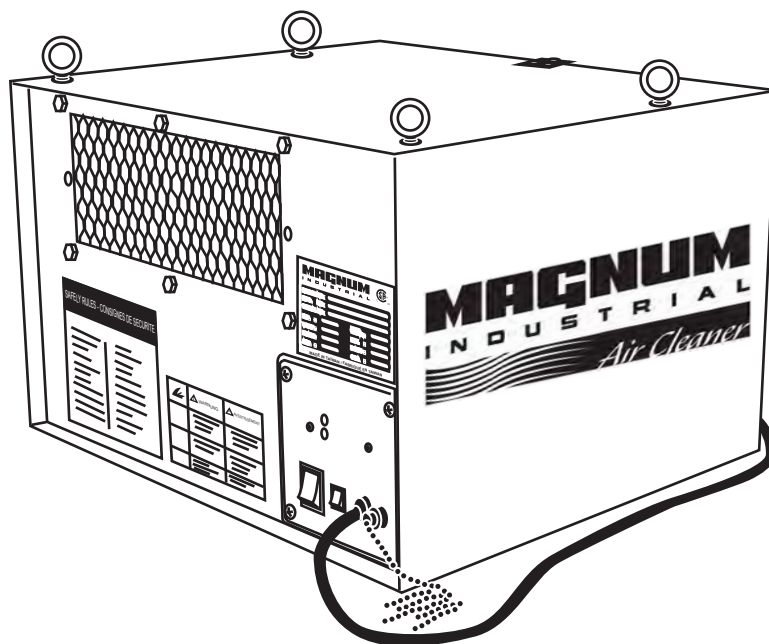


MAGNUM

INDUSTRIAL

MODEL NO.: MI-11600 / MI-11650



OPERATING MANUAL

ADDITIONAL SAFETY RULES FOR DUST COLLECTOR

IMPORTANT SAFETY INSTRUCTIONS

When using your Air Filter System, follow basic safety precautions including the following:

WARNING: To reduce the risk of fire, electric shock or injury:

- Read and understand this owner's manual and all labels on the Air Filter System before operating. Use only as described in this manual.

To avoid personal injury or damage to Air Filter System, use only recommended accessories.

Sparks inside the electrical parts can ignite flammable vapors or dust. To avoid fire or explosion:

- Do not vacuum or use this Air Filter System near flammable or combustible liquids, gases, gasoline or other fuels, lighter fluid, cleaners, oil-based paints natural gas, hydrogen, or explosive dusts like coal dust, magnesium dust, grain dust, or gun powder.
- Do not vacuum anything that is burning or smoking, such as cigarettes, matches or hot ashes.
- To avoid health hazards from vapors or dusts, do not vacuum toxic materials.
- Do not use or store near hazardous material.
- Do not use outdoors or on wet surfaces.
- Put unit on a stable, level surface.
- Do not allow to be used as a toy. Close attention is necessary when used by or near children.
- Do not leave appliance plugged in. Unplug from outlet when not in use and before servicing.
- To avoid injury from accident starting, unplug power cord before changing or cleaning filter/dust bag or chip bag.
- Do not use without filter/dust bag and or chip bag in place.
- Do not unplug by pulling on cord. To unplug, grasp the plug, not the cord.
- Turn off controls before unplugging.
- Do not use with damaged cord, plug or other parts. If your Air Filter System is not working as it should, has missing parts, has been dropped damaged left outdoors, or dropped into water, return it to Service Center.
- Do not pull or carry by cord, use cord as handle, close a door on cord, or pull cord around sharp edges or corners. Do not run Air Filter System over cord, away from heated surfaces.
- Do not handle plug of the Air Filter System with wet hands.
- Do not put any object into ventilation openings.
- Do not vacuum with any ventilation openings blocked. Keep free of dust, lint, hair or anything that may reduce air flow.
- Keep hair, loose clothing, fingers, and all parts of body away from openings and moving parts.
- Extension cords in poor condition or that are too small can pose fire and shock hazards. When using an extension cord, be sure it is in good condition. See "Extension Cords" in the "Operation" section for proper wire sizes.
- Connect to properly, grounded outlet only (See "Grounding instructions" on pag 11).

SAFETY RULES FOR WORKING EQUIPMENT

- 1. READ AND BECOME FAMILIAR** with the entire operating manual.
- 2. KEEP GUARDS AND COVER** in place and working order.
- 3. ALWAYS USE SAFETY GLASSES.** Also use face or dust mask if cutting operation is dusty. Everyday eye glasses only have impact resistant lenses, they are not safety glasses.
- 4. KEEP WORK AREA CLEAN.** Cluttered areas and benches invite accidents.
- 5. DON'T FORCE TOOL.** It will do a better and safer job at the rate for which it was designed.
- 6. AVOID ACCIDENTAL STARTING.** Make sure switch is in "OFF" position before plugging in cord.
- 7. DISCONNECT TOOLS BEFORE SERVICING** and when changing accessories such as blades, cutters.
- 8. DON'T OVER REACH.** Keep your proper footing and balance at all times. For best footing wear rubber soled footwear. Keep floor clear of oil, scrap wood, etc.
- 9. WEAR PROPER APPAREL.** Loose clothing or jewelry may get caught in moving parts. Wear protective hair covering to contain long hair.
- 10. MAKE WORKSHOP CHILD PROOF.** Place a padlock on the switch when blade saw is not in use and store the key in a safe location.
- 11. REMOVE ADJUSTING KEYS AND WRENCHES.** Form the habit of checking to see that keys and adjusting wrenches are removed from tool before turning it on.
- 12. AVOID DANGEROUS ENVIRONMENT.** Don't use power tools in damp or wet locations. Keep your work area well illuminated. **DO NOT USE** in explosive atmosphere (around paint, flammable liquids, etc.)
- 13. KEEP CHILDREN AWAY.** All visitors should be kept a safe distance from work area, especially while operating unit.
- 14. USE THE PROPER TOOL.** Don't force tool or attachment to do a job for which it was not designed.
- 15. MAINTAIN TOOLS IN TOP CONDITION.** Keep tools sharp and clean for best and safest performance. Follow instructions for lubricating and changing accessories.
- 16. SECURE YOUR WORK.** Use clamps or a vise to hold work, when practical. It's safer than using your hand and prevents round or irregularly shaped pieces from turning.
- 17. CHECK DAMAGED PARTS.** Before further use of the tool, a guard or other part that is damaged should be checked to assure that it will operate properly and perform its intended function check alignment of moving parts, breakage of parts, mounting or any other conditions that may affect its operations. A guard or other part that is damaged should be properly repaired or replaced.
- 18. USE RECOMMENDED ACCESSORIES** Consult Owner's Manual. Use of improper accessories could be hazardous.
- 19. NEVER STAND ON TOOL.** Injury could occur from a fall.
- 20. NEVER LEAVE TOOL RUNNING AND UNATTENDED.**
- 21. ALWAYS REMOVE CORD PLUG** from electrical outlet when adjusting, changing parts working on tool.

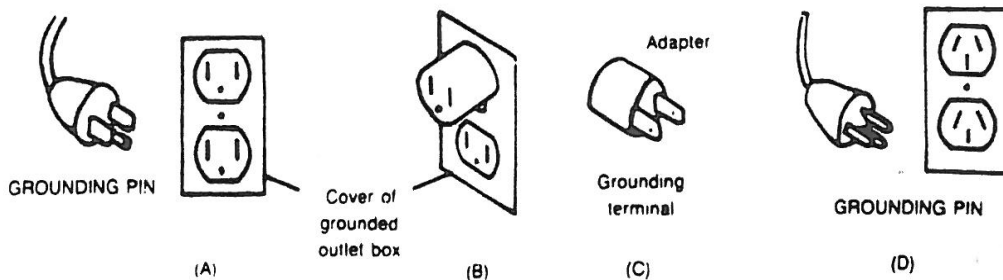
GROUNDING

1. In the event of a malfunction or breakdown, grounding provides a path of least resistance for the electric current, to reduce the risk of electric shock. This machine is equipped with an electrical cord that has an equipment grounding conductor and a grounding plug. The plug must be plugged into a matching outlet that is properly installed and grounded in accordance with all local codes and ordinances.
2. Do not modify the plug provided. If it will not fit the outlet, have the proper outlet installed by a qualified electrician.
3. Improper connection of the equipment grounding conductor can result in the risk of electric shock. The conductor with the green outer insulation (with or without a yellow stripe), is the equipment grounding conductor. If repair or replacement of the electrical cord is necessary, do not connect the equipment grounding conductor to a live terminal.
4. Check with a qualified electrician or serviceman if the grounding instructions are not completely understood, or if there is doubt as to whether the machine is properly grounded.
5. Using only three-wire extension cords that have three-prong grounding plugs and three pole receptacles that accept the tool's plug.
6. Repair or replace damaged or worn cord immediately.
7. This machine is intended for use on a circuit that has an outlet that looks like the one in illustration (A). The machine has a grounding plug that looks like the plug in illustration (A). A temporary adapter, which looks like the adapter in illustration (B) and (C), may be used to connect the plug to a one pole receptacle, as shown in illustration (B), if a properly grounded outlet is not available. The temporary adaptor should only be used until a properly grounded outlet can be installed by a qualified electrician. The three coloured rigid ear plug extending from the adapter, must be connected to a permanent ground such as a properly grounded outlet box.

NOTE: The type of electrical plug and receptacle differs from country to country.

CAUTION: In Canada, only the grounding shown in figure (A) is acceptable. The extension cord should be a CSA certified S.J.T. type or something better.

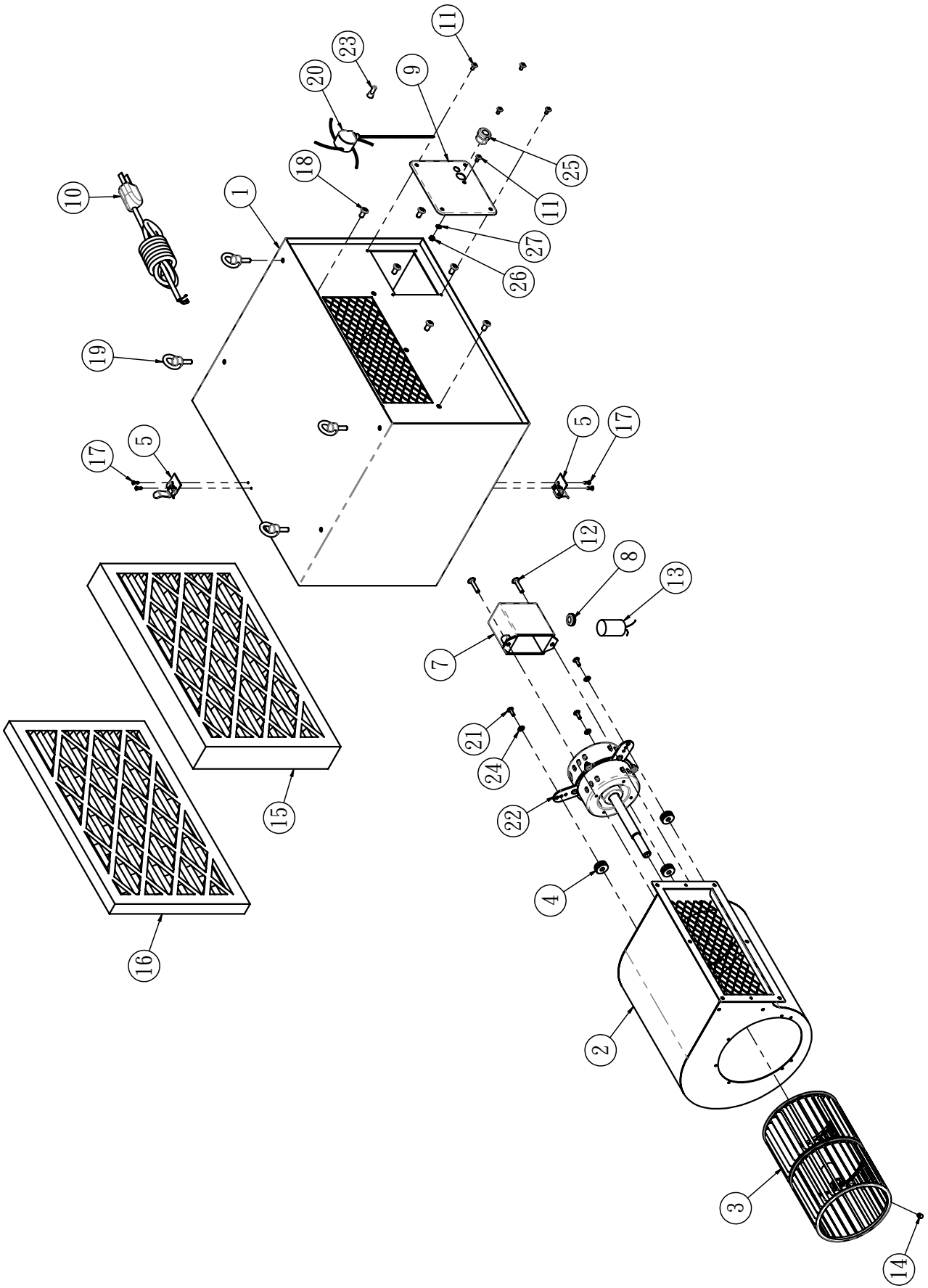
CAUTION: In Australia, only the grounding shown in figure (D) is acceptable. The extension cord should be SSA certified.



TROUBLE SHOOTING

TROUBLE	PROBABLE CAUSE	CORRECTION
Motor does not run when power switch is pressed "ON"	<ol style="list-style-type: none"> 1. Switch is burnt out. 2. Connection wire is loose or damaged. 	<ol style="list-style-type: none"> 1. Replace the switch. 2. Tighten wire or replace wire.
Motor does not run at full speed.	<ol style="list-style-type: none"> 1. Power voltage is too low. 2. Motor is damaged. 	<ol style="list-style-type: none"> 1. Test voltage. 2. Check and repair motor
Motor does not reach full power.	<ol style="list-style-type: none"> 1. Incorrect power wiring. 2. Overloaded. 	<ol style="list-style-type: none"> 1. Replace with the correct size power wiring. 2. Reduce load.
Motor overheating	<ol style="list-style-type: none"> 1. Motor voltage is different 2. Motor is damaged 	<ol style="list-style-type: none"> 1. Check the voltage label 2. Check and repair motor
Insufficient suction power	<ol style="list-style-type: none"> 1. Inlet port blocked. 2. Air filter bag is full. 3. Outlet port blocked. 	<ol style="list-style-type: none"> 1. Clean inlet port. 2. Empty dust from filter bag. 3. Clean outlet port or adjust the direction of outlet.
Air filter is shaking.	<ol style="list-style-type: none"> 1. The machinery is not fixed. 2. Different level or height. 3. Power wire is stumbled. 	<ol style="list-style-type: none"> 1. Mounting it firmly. 2. Put it in the same level. 3. Put away power wire in order.

PARTS LIST FOR MI-11600 / MI-11650



PARTS LIST FOR MI-11600 / MI-11650

ITEM NO.	PARTS NO.	DESCRIPTION	SPECIFICATION	Q'ty
1	MI-11600-01	Main Housing		1
2	MI-11600-02	Fan Housing		1
3	MI-11600-03	Fan		1
4	MI-11600-04	Rubber Washer		3
5	MI-11600-05	Filter Fix Plate		2
7	MI-11600-07	Capacitor cover		1
8	MI-11600-08	Busing		1
9	MI-11600-09	Switch Plate		1
10	MI-11600-10	Power Cord		1
11	MI-11600-11	Round HD screw	M4*8	5
12	MI-11600-12	Round HD screw	M5*25	2
13	MI-11600-13	Capacitor		1
14	MI-11600-14	Set Screw	M6*8	1
15	MI-11600-15	Inner Filter	MI-11650_HEPA filter	1
16	MI-11600-16	Outter Filter	MI-11650_Electrostatic filter	1
17	MI-11600-17	Rivet	4-2	4
18	MI-11600-18	Button HD screw	1/4"x 1/2"	6
19	MI-11600-19	Hanng Screw		4
20	MI-11600-20	Pulling Switch		1
21	MI-11600-21	Round HD Screw	M4 x 12	3
22	MI-11600-22	Motor		1
23	MI-11600-23	Connector		4
24	MI-11600-24	Washer	M4	3
25	MI-11600-25	Bushing		1
26	MI-11600-26	Nut	M4	1
27	MI-11600-27	Start Washer	M4	1