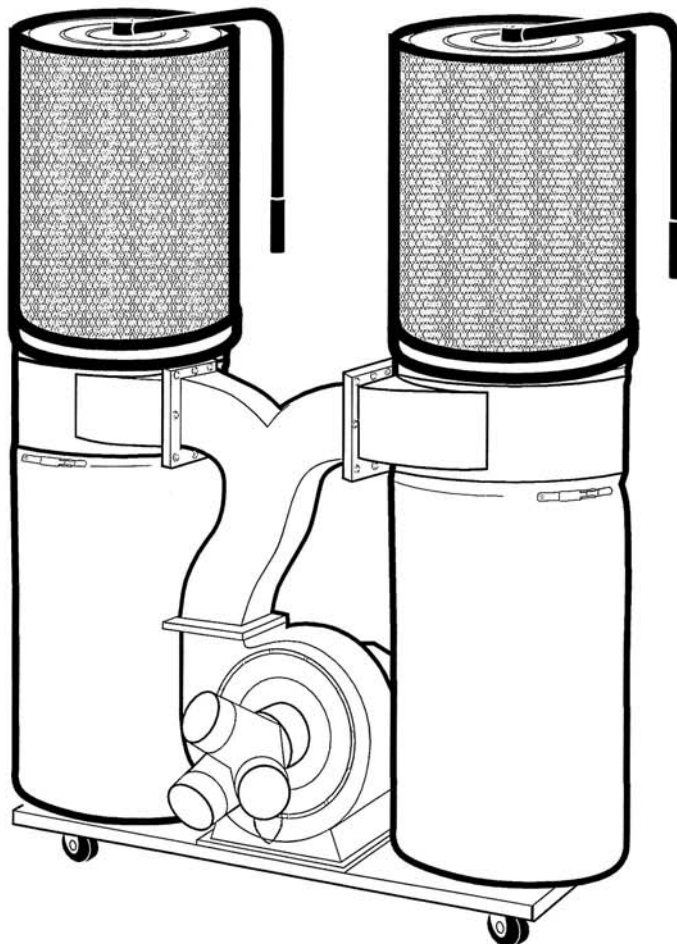


# **MAGNUM**

## **I N D U S T R I A L**

**MODEL NO.: MI-11450**



***OPERATING MANUAL***

# IMPORTANT SAFETY RULES

Wood working can be dangerous if safe and proper operating procedures are not followed. As with all machinery, there are certain hazards involved with the operation of the product. Using the machine with respect and caution will considerably lessen the possibility of personal injury. However, if normal safety precautions are overlooked or ignored, personal injury to the operator may result. Safety equipment such as guards, push sticks, hold-downs, featherboards, goggles, dust masks and hearing protection can reduce your potential for injury. But even the best guard won't make up for poor judgment, carelessness or inattention. Always use common sense and exercise caution in the workshop. If a procedure feels dangerous, don't try it. Figure out an alternative procedure that feels safer. REMEMBER: Your personal safety is your responsibility.

## **WARNING: FAILURE TO FOLLOW THESE RULES MAY RESULT IN SERIOUS PERSONAL INJURY**

1. FOR YOUR OWN SAFETY, READ INSTRUCTION MANUAL BEFORE OPERATING THE TOOL. Learn the tool's application and limitations as well as the specific hazards peculiar to it.
2. KEEP GUARDS IN PLACE and in working order.
3. ALWAYS WEAR EYE PROTECTION.
4. GROUND ALL TOOLS. If tool is equipped with three-prong plug, it should be plugged into a three-hole electrical receptacle. If an adapter is used to accommodate a two-prong receptacle, the adapter plug must be attached a known ground. Never remove the third prong.
5. REMOVE ADJUSTING KEYS AND WRENCHES. Form habit of checking to see that keys and adjusting wrenches are removed from tool before turning it "ON".
6. KEEP WORK AREA AND CLEAN. Cluttered areas and benches invite accidents.
7. DON'T USE IN DANGEROUS ENVIRONMENT. Don't use power tools in damp or wet location, or expose them to rain. Keep work area well light.
8. KEEP CHILDREN AND VISITORS AWAY. All children and visitors should be kept a safe distance from work area.
9. MAKE WORKSHOP CHILDPROOF - with padlocks, master switches, or by removing starter keys.
10. DON'T FORCE TOOL. It will do the job better and be safer at the rate for which it was designed.
11. USE RIGHT TOOL. Don't force tool or attachment to do a job for which it was not designed.
12. WEAR PROPER APPAREAL. No loose clothing, gloves, neck-ties, rings, bracelets, or other jewelry to get caught in moving parts. Non-slip footwear is recommended. Wear protective hair covering to contain long hair.
13. ALWAYS USE SAFETY CLASSES. Wear safety glasses. Everyday eyeglasses only have impact resistant lenses ; they are not safety glasses. Also use face or dust mask if cutting operation is dusty.
14. SECURE WORK. Use clamps or a vise to hold work when practical. It's safer than using your hand and frees both hands to operate tool.
15. DON'T OVERREACH. Keep proper footing and balance at all times.
16. MAINTAIN TOOLS IN TOP CONDITION. Keep tools sharp and clean for best and safest performance. Follow instructions for lubricating and changing accessories.
17. DISCONNECT TOOLS before servicing and when changing accessories such as blades, bits cutters, etc.
18. USE RECOMMENDED ACCESSORIES. The use of accessories and attachments not recommended by us may cause hazards or risk of injury to persons.
19. REDUCE THE RISK OF UNINTENTIONAL STARTING. Make sure switch is in "OFF" position before plugging in power cord.
20. NEVER STAND ON TOOL. Serious injury could occur if the tool is tipped or if the cutting tool is accidentally contacted.
21. CHECK DAMAGED PARTS. Before further use of tool, a guard or other part that is damaged should be carefully checked to ensure that it will operate properly and perform its intended function – check for alignment of moving parts, binding of moving parts, breakage of parts, mounting, and any other conditions that may affect its operation. A guard or other part that is damaged should be properly repaired or replaced.
22. DIRECTION OF FEED. Feed work into a blade or cutter against the direction of the blade or cutter only.
23. NEVER LEAVE TOOL RUNNING UNATTENDED TURN POWER OFF. Don't leave tool until it comes to a complete stop.
24. DRUGS, ALCHHOL, MEDICATION. Do not operate tool while under the influence of drugs, alcohol or any medication.
25. MAKE SURE TOOL IS DISCONNECTED FROM POWER SUPPLY while motor is being mounted, connected or reconnected.
26. WARNING: The dust generated by certain woods and wood products can be injurious to your health. Always operate machinery in well-ventilated areas and provide for proper dust removal. Use wood dust collection systems whenever possible.

# IMPORTANT SAFETY RULES FOR DUST COLLECTORS

**WARNING:** Basic precautions should be followed when using your dust collector. To reduce the risk of injury, electrical shock or fire, comply with the safety rules listed below:

1. READ and understand the instruction manual before operating the dust collector.
2. DO NOT leave the dust collector plugged into the electrical outlet. Unplug dust collector from outlet when not in use and before servicing, changing bags, unclogging and cleaning.
3. ALWAYS turn the power switch "OFF" before unplugging the dust collector.
4. WARNING: TO REDUCE THE RISK OF ELECTRICAL SHOCK do not use outdoors or on wet surface. Use for dry pickup only!
5. FOLLOW all electrical and safety codes, including the National Electric Code (NEC) and the Occupational Safety and Health Regulations (OSHA). Qualified personnel should make all electrical connections and wiring only.
6. DO NOT use the dust collector to pick up flammable or combustible liquids such as gasoline. NEVER use the dust collector near any flammable or combustible liquids.
7. USE the dust collector to pick up wood materials only. DO NOT use the dust collector to pick up metal shavings, dust, water, or parts.
8. NEVER use the dust collector to dissipate fumes or smoke. NEVER pick-up anything that is burning or smoking, such as cigarettes, matches or hot ashes.
9. USE only as described in this manual.
10. DO NOT pull the dust collector by the power cord. NEVER allow the power cord to come in contact with sharp edges, hot surfaces, oil or grease.
11. DO NOT unplug the dust collector by pulling on the power cord. ALWAYS grasp the plug, not the cord.
12. DO NOT handle the plug or dust collector with wet hands.
13. REPLACE a damaged cord immediately. DO NOT use a damaged cord or plug. If the dust collector is not operating properly, or has been damaged, left outdoors or has been in contact with water, return it to an Authorized Service Center for service.
14. DO NOT use the dust collector as a toy. DO NOT use near or around children.
15. DO NOT insert fingers or foreign objects into the dust intake ports. Keep hair, loose clothing, fingers, and all body parts away from openings and moving parts of the dust collector.
16. DO NOT use the dust collector without a filter bag and dust collection bag in place and properly secured.
17. DO NOT operate the dust collector with unused dust intake ports uncapped. ALWAYS cover exposed dust intake ports.
18. PERIODICALLY INSPECT dust and filter bags for any cuts, rips or tears. NEVER operate the dust collector with a damaged bag or vacuum hose.
19. The dust collector is designed for home use or light commercial duty ONLY!
20. CONNECT dust collector to a properly grounded outlet only. See Grounding Instructions.

**SAVE THESE INSTRUCTIONS**

# GROUNDING INSTRUCTIONS

The appliance must be grounded, if it should malfunction or breakdown, grounding provides a path of least resistance for electric current to reduce the risk of electric current to reduce the risk of electric shock. This appliance is equipped with a cord having equipment-ground conductor and grounding plug. The plug must be inserted into an appropriate outlet that is properly installed and grounded in accordance with all local codes and ordinances.

## **WARNING –**

Improper connection of the equipment-grounding conductor can result in risk of electric shock. Check with a qualified electrician or service person if you are in doubt as to whether the outlet is properly grounded. Do not modify the plug provided with the appliance – if it will not fit the outlet; have a proper outlet installed by a qualified electrician.

## **For grounded, cord-connected appliances:**

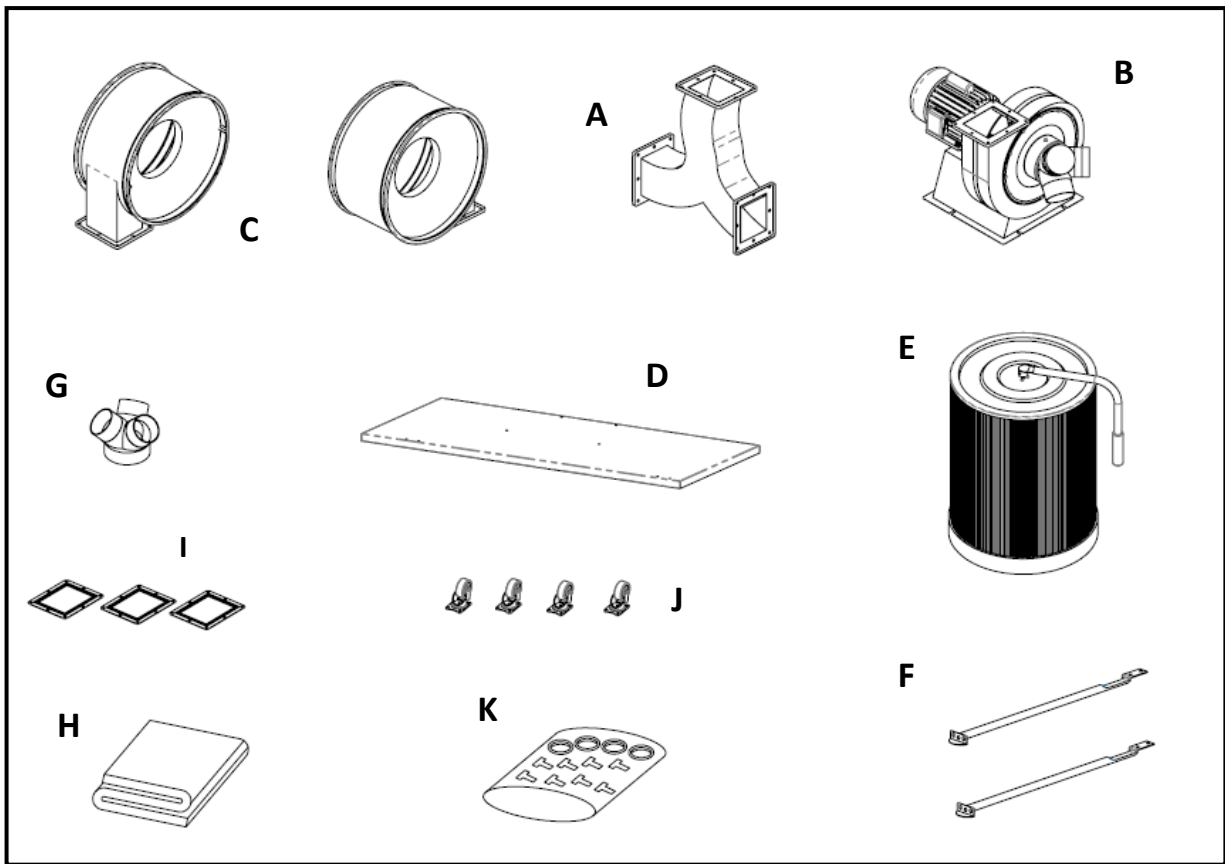
This appliance is for use on a circuit having a normal rating more than 120 volt and is factory-equipped with a specific electric cord and plug to a proper electric circuit. Make sure that the appliance is connected to an outlet having the same configuration as the plug. No adaptor should be used with this appliance. If the appliance must be reconnected for use on a different type of electric circuit, qualified service personnel should make the reconnection.

## **For a permanently connected appliance:**

This appliance must be connected to a grounded metal, permanent wiring system; or an equipment - grounding conductor must be run with the circuit conductors and connected to the equipment grounding terminal or lead on the appliance.

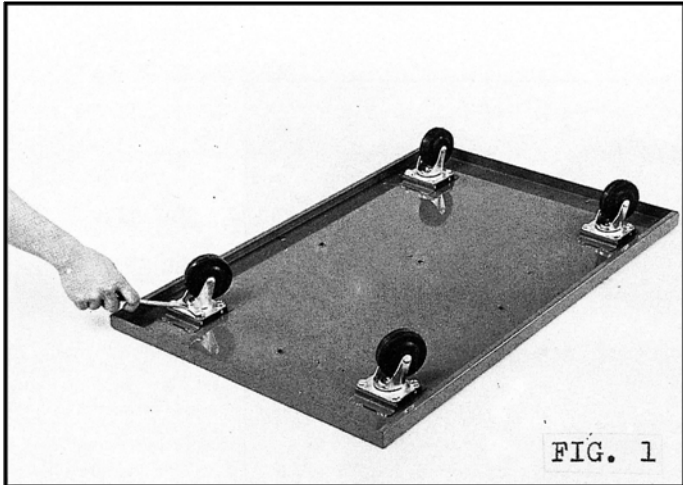
## Unpacking and checking contents

Unpack carton , check machine, to see parts listed below,



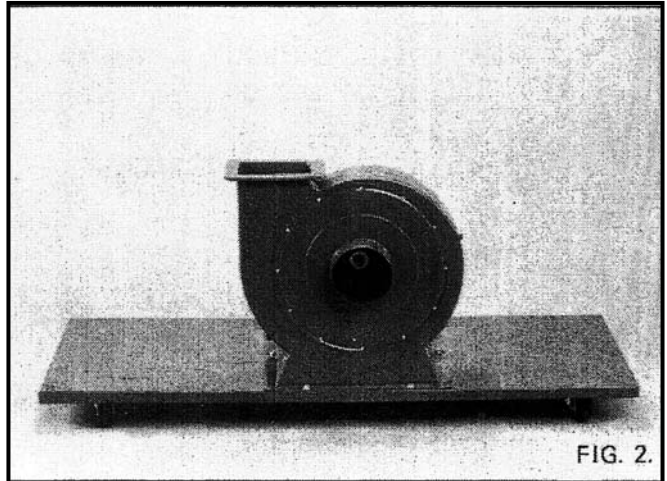
- A. CONNECTOR
- B. COLLECTOR BODY & MOTOR ASSEMBLY
- C. TWO COLLECTOR
- D. BASE PLATE
- E. CANISTER FILTER
- F. SUPPORT
- G. INLET
- H. BAG
- I. PACKING
- J. CASTERS
- K. HARDWARE KIT

## ASSEMBLY



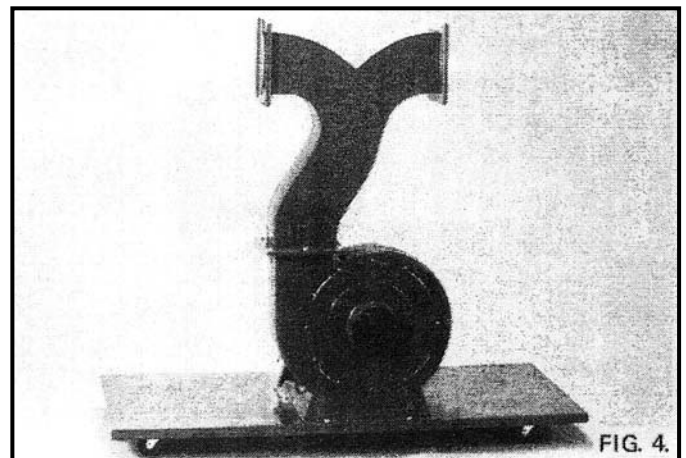
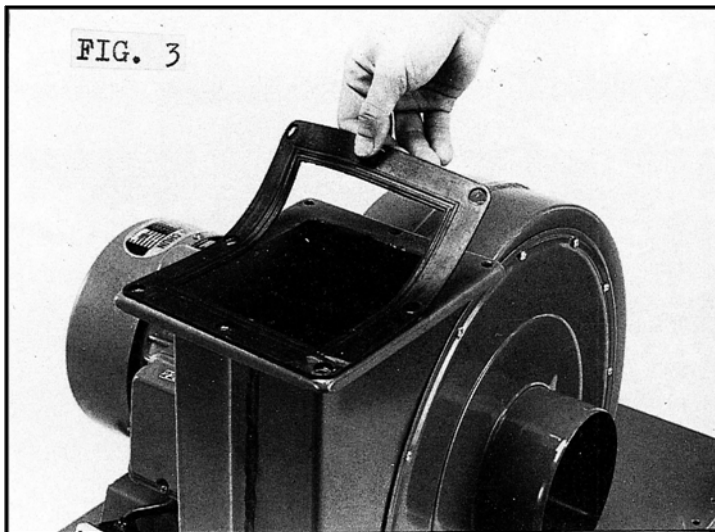
### STEP.1

Put the base upside down, attach the four casters provided and tighten with the wrench. (FIG.1)



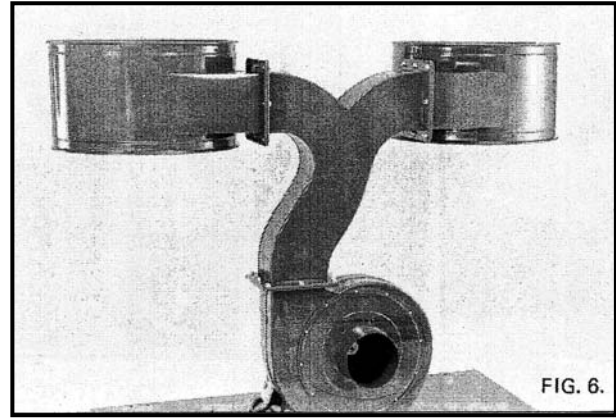
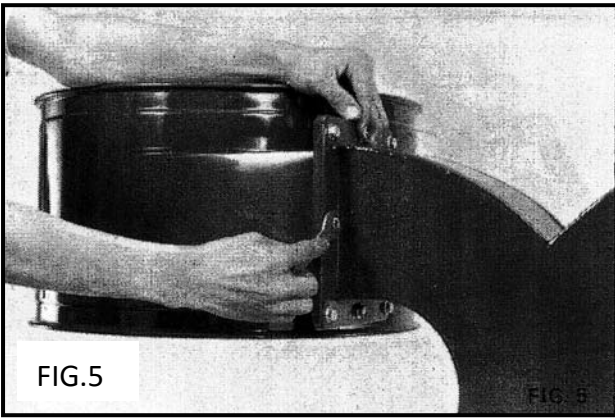
### STEP.2

Put the collector body and fan/motor assy in place, secure it to the base plate using the screws and washers provided as show in FIG.2.



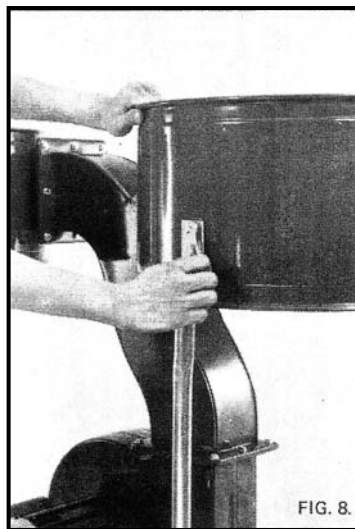
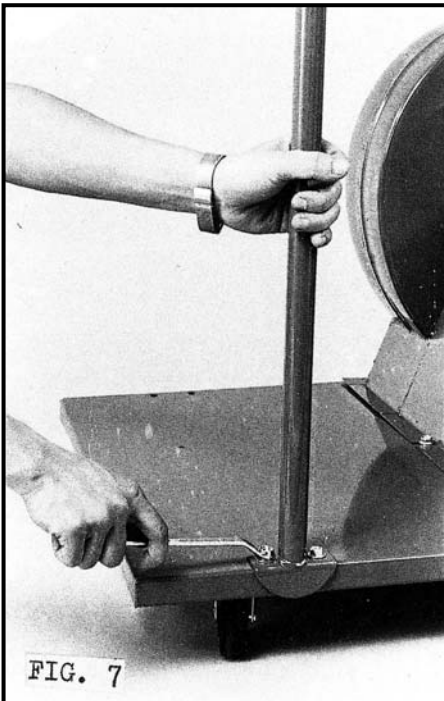
### STEP.3

Install the packing and connector to the collector body assy using eight screws and washers provided FIG. & FIG.4.



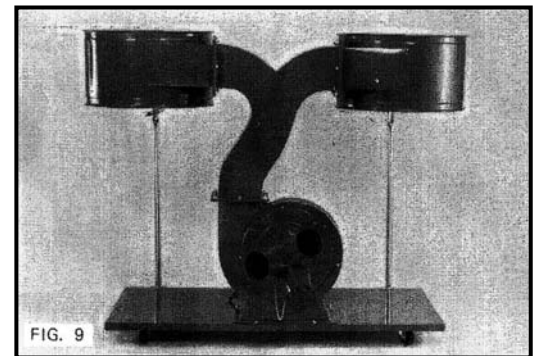
#### STEP.4

Install the packing and collector to the outlet as shown in FIG.5 & FIG.6.



#### STEP.5

The collector support can now be mounted to the base plate as shown in FIG.7 ~ FIG.9.



#### STEP.7

Affix the wide foam strip around the outside top rim of the collector, as shown in FIG.10.

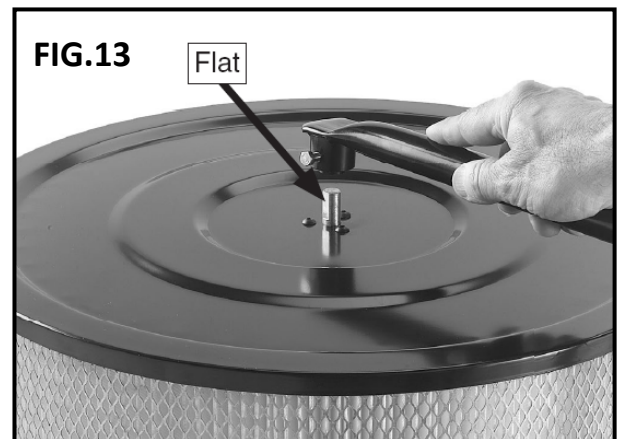
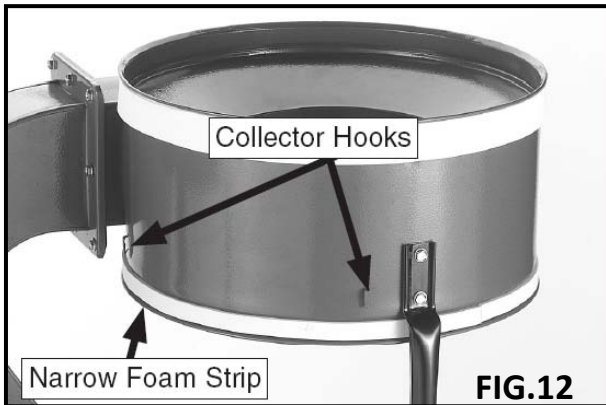
**STEP.8**

Trim the excess foam strip so the ends come together evenly, as shown in FIG.11.



**STEP.9**

Secure the narrow foam strip around the outside bottom rim of the collector and trim the excess, as shown in FIG.12.

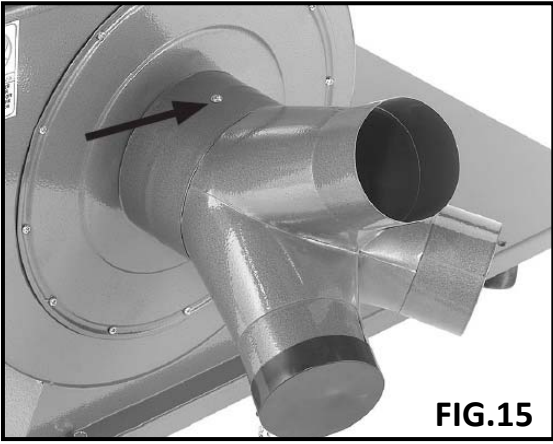


**STEP.10**

Install the canister handle onto the top of the canister filter by tightening the bolt against the flat of the shaft, as shown in FIG.13. Place the canister filter on top of the collectors. Position the metal belt clamp around the bottom of the canister and latch it so it evenly compresses against the foam strip (See FIG.10), then Install the canister as shown in FIG.14.

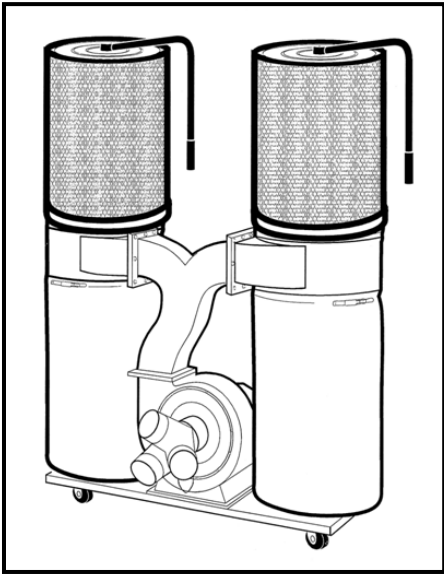




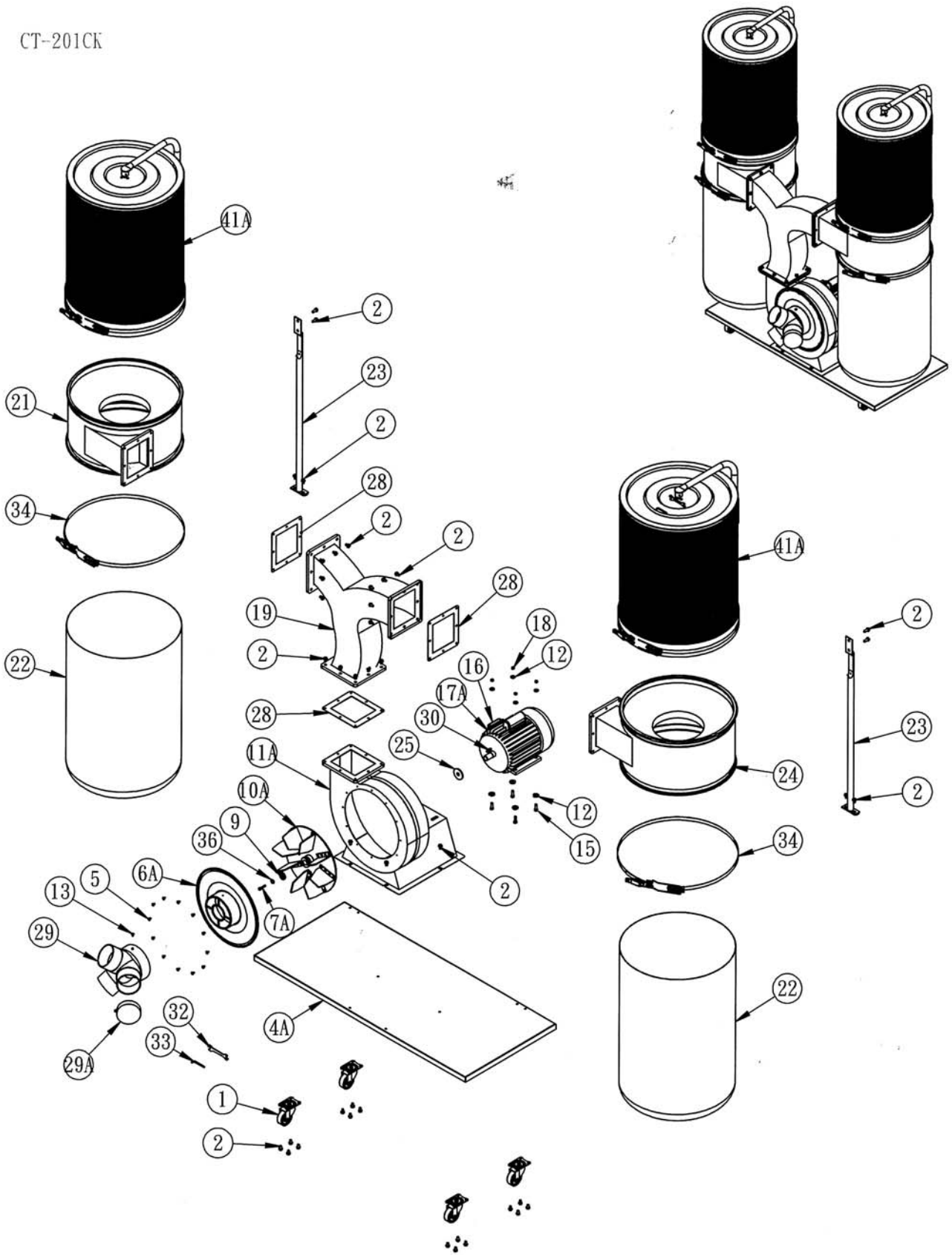


**STEP.11**

Secure the inlet in place with the Phillips head tap screw as shown in FIG.15.

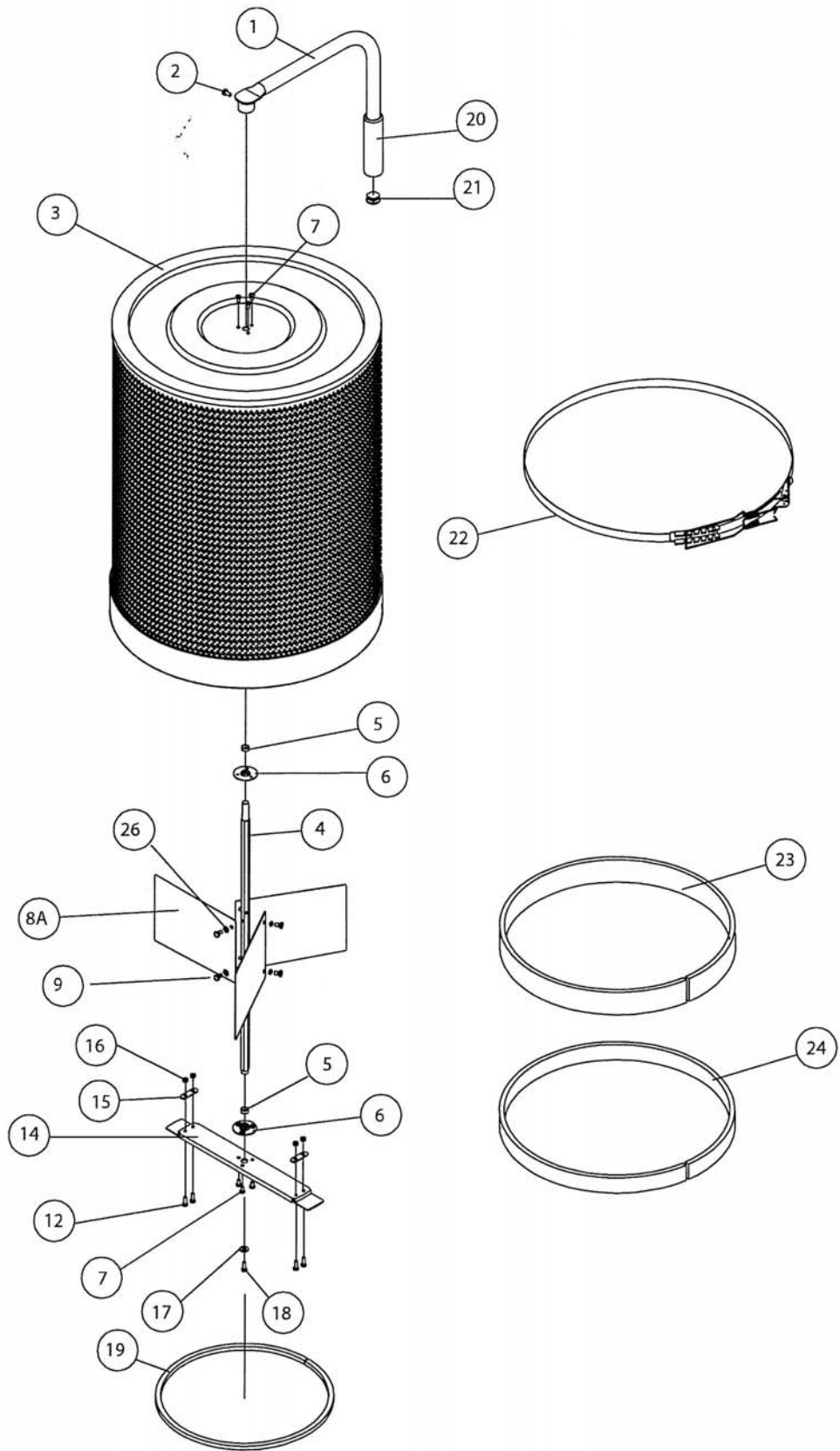


The dust collector is now ready to be placed into serviced. Before connecting to a power source, be sure the power source is properly grounded and is of proper voltage amperage.



## MI-11450 PARTS LIST

PART NO.	DESCRIPTION	SPECIFICATIONS	Q'TY
MI-11450-01	CASTER		4
MI-11450-02	HEX. HEAD BOLT	5/16 X 1/2" L "	52
MI-11450-04A	BASE PLATE		1
MI-11450-05	PAN HEAD SCREW	3/16 X 3/8"L "	12
MI-11450-06A	INLET COVER	7"	1
MI-11450-07A	HEX. SOCKET HEAD SCREW	M6 X 1 X 30MM L.H.	1
MI-11450-09	WASHER		1
MI-11450-10A	FAN		1
MI-11450-11A	COLLECTOR BODY		1
MI-11450-12	WASHER	5/16 "	8
MI-11450-13	PAN. HEAD SCREW	3/16 X 3/8"L "	1
MI-11450-15	HEX. HEAD BOLT	5/16 X 1" L "	4
MI-11450-16	SWITCH		1
MI-11450-17A	MOTOR		1
MI-11450-18	NUT	5/16 "	4
MI-11450-19	Y CONNECTOR		1
MI-11450-21	LEFT COLLECTOR		1
MI-11450-22	DUST BAG		2
MI-11450-23	DRUM SUPPORT		2
MI-11450-24	RIGHT COLLECTOR		1
MI-11450-25	RUBBER GASKET		1
MI-11450-26A	UPPER BAG SUPPORT		2
MI-11450-27	FILTER BAG		2
MI-11450-28	PACKING		3
MI-11450-29	INLET FITTING	7"*4*3	1
MI-11450-29A	CAP		2
MI-11450-30	KEY	7MM X 7MM X 30MM	1
MI-11450-32	OPEN END WRENCH	12MM	1
MI-11450-33	ALLEN KEY	5MM	1
MI-11450-34	BAG CLAMP		4
MI-11450-36	LOCK WASHER	1/4"	1
MI-11450-41A	CANISTER FILTER ASSEMBLY		1



## CANISTER FILTER

PART NO.	DESCRIPTION	SPECIFICATIONS	Q'TY
MI-11450-41A	CANISTER FILTER		1
MI-11450-41A-01	HANDLE		1
MI-11450-41A-02	HEX. HEAD SCREW	M6X16	1
MI-11450-41A-03	CANISTER FILTER		1
MI-11450-41A-04	HEX. SPINDLE		1
MI-11450-41A-05	THREAD BEARING		2
MI-11450-41A-06	BEARING FIXING PLATE		2
MI-11450-41A-07	HALF ROUND HEAD SCREW	M5X10	6
MI-11450-41A-08A	PLASTIC FLAP BOARD		3
MI-11450-41A-09	PHLP HEAD SCREW	M6X10	6
MI-11450-41A-12	ROUND HEAD SCREW	M5X15	10
MI-11450-41A-14	BOTTOM FIXING PLATE		1
MI-11450-41A-15	FIXING PLATE		2
MI-11450-41A-16	NUT	M5	4
MI-11450-41A-17	FLAT WASHER	1/4"	1
MI-11450-41A-18	ROUND HEAD SCREW	M6X10	1
MI-11450-41A-19	SPONGE	10X15	1
MI-11450-41A-20	SPONGE SLEEVE	1"X5"X5"	1
MI-11450-41A-21	CAP	1"	1
MI-11450-41A-22	BELT CLAMP		1
MI-11450-41A-23	FOAM	4X20	1
MI-11450-41A-24	FOAM	5X42	1
MI-11450-41A-26	FLAP WASHER	6MM	6