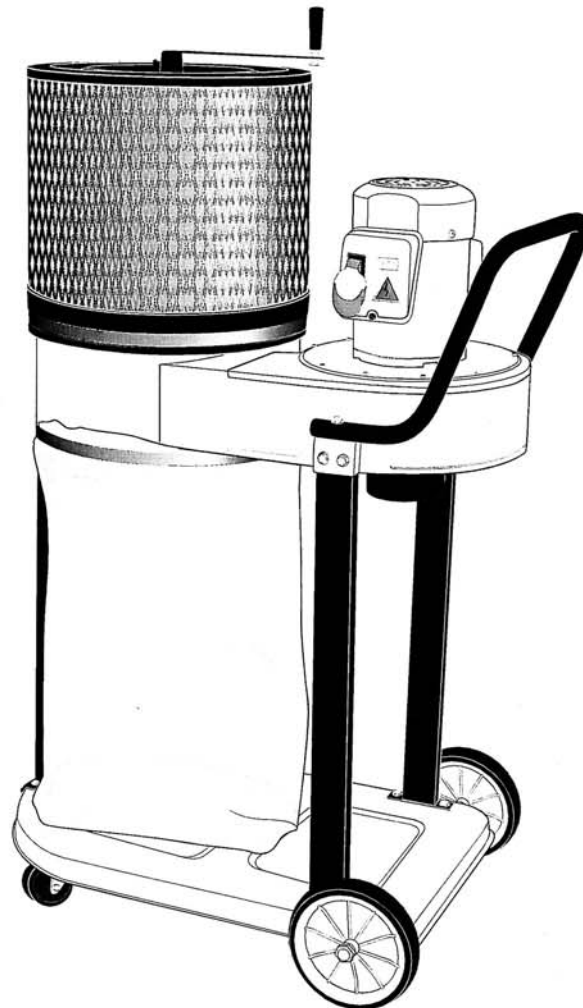


# **MAGNUM**

## **I N D U S T R I A L**

**MODEL NO.: MI-11150**



***OPERATING MANUAL***

# IMPORTANT SAFETY RULES

Wood working can be dangerous if safe and proper operating procedures are not followed. As with all machinery, there are certain hazards involved with the operation of the product. Using the machine with respect and caution will considerably lessen the possibility of personal injury. However, if normal safety precautions are overlooked or ignored, personal injury to the operator may result. Safety equipment such as guards, push sticks, hold-downs, featherboards, goggles, dust masks and hearing protection can reduce your potential for injury. But even the best guard won't make up for poor judgment, carelessness or inattention, Always use common sense and exercise caution in the workshop. If a procedure feels dangerous, don't try it. Figure out an alternative procedure that feels safer. REMEMBER: Your personal safety is your responsibility.

## **WARNING: FAILURE TO FOLLOW THESE RULES MAY RESULT IN SERIOUS PERSONAL INJURY**

1. **FOR YOUR OWN SAFETY, READ INTRUCTION MANUAL BEFORE OPERATING THE TOOL.** Learn the tool's application and limitation s as well as the specific hazards peculiar to it.
2. **KEEP GUARDS IN PLACE** and in working order.
3. **ALWAYS WEAR EYE PROTECTION.**
4. **GROUND ALL TOOLS.** If tool is equipped with three-prong plug, it should be plugged into a three-hole electrical receptacle. If an adapter is used to accommodate a two-prong receptacle, the adapter plug must be attached a known ground. Never remove the third prong.
5. **REMOVE ADJUSTING KEYS AND WRENCHES.** Form habit of checking to see that keys and adjusting wrenches are removed from tool before turning it "ON".
6. **KEEP WORK AREA AND CLEAN.** Cluttered areas and benches invite accidents.
7. **DON'T USE IN DANGEROUS ENVIRONMENT.** Don't use power tools in damp or wet location, or expose them to rain. Keep work area well light.
8. **KEEP CHILDREN AND VISITORS AWAY.** All children and visitors should be kept a safe distance from work area.
9. **MAKE WORKSHOP CHILDPROOF** - with padlocks, master switches, or by removing starter keys.
10. **DON'T FORCE TOOL.** It will do the job better and be safer at the rate for which it was designed.
11. **USE RIGHT TOOL.** Don't force tool or attachment to do a job for which it was not designed.
12. **WEAR PROPER APPAREAL.** No loose clothing, gloves, neck-ties, rings, bracelets, or other jewelry to get caught in moving parts. Non-slip footwear is recommended. Wear protective hair covering to contain long hair.
13. **ALWAYS USE SAFETY CLASSES.** Wear safety glasses. Everyday eyeglasses only have impact resistant lenses ; they are not safety glasses. Also use face or dust mask if cutting operation is dusty.
14. **SECURE WORK.** Use clamps or a vise to hold work when practical. It's safer than using your hand and frees both hands to operate tool.
15. **DON'T OVERREACH.** Keep proper footing and balance at all times.
16. **MAINTAIN TOOLS IN TOP CONDITION.** Keep tools sharp and clean for best and safest performance. Follow instructions for lubricating and changing accessories.
17. **DISCONNECT TOOLS** before servicing and when changing accessories such as blades, bits cutters, etc.
18. **USE RECOMMENDED ACCESSORIES.** The use of accessories and attachments not recommended by us may cause hazards or risk of injury to persons.
19. **REDUCE THE RISK OF UNINTENTIONAL STARTING.** Make sure switch is in "OFF" position before plugging in power cord.
20. **NEVER STAND ON TOOL.** Serious injury could occur if the tool is tipped or if the cutting tool is accidentally contacted.
21. **CHECK DAMAGED PARTS.** Before further use of tool, a guard or other part that is damaged should be carefully checked to ensure that it will operate properly and perform its intended function – check for alignment of moving parts, binging of moving parts, breakage of parts, mounting, and any other conditions that may affect its operation. A guard or other part that is damaged should be properly repaired or replaced.
22. **DIRECTION OF FEED.** Feed work into a blade or cutter against the direction of the blade or cutter only.
23. **NEVER LEAVE TOOL RUNNING UNATTENDED** TURN POWER OFF. Don't leave tool until it comes to a complete stop.
24. **DRUGS, ALCHHOL, MEDICATION.** Do not operate tool while under the influence of drugs, alcohol or any medication.
25. **MAKE SURE TOOL IS DISCONNECTED FROM POWER SUPPLY** while motor is being mounted, connected or reconnected.
26. **WARNING:** The dust generated by certain woods and wood products can be injurious to your health. Always operate machinery in well-ventilated areas and provide for proper dust removal. Use wood dust collection systems whenever possible.

# IMPORTANT SAFETY RULES FOR DUST COLLECTORS

**WARNING:** Basic precautions should be followed when using your dust collector. To reduce the risk of injury, electrical shock or fire, comply with the safety rules listed below:

1. READ and understand the instruction manual before operating the dust collector.
2. DO NOT leave the dust collector plugged into the electrical outlet. Unplug dust collector from outlet when not in use and before servicing, changing bags, unclogging and cleaning.
3. ALWAYS turn the power switch "OFF" before unplugging the dust collector.
4. WARNING: TO REDUCE THE RISK OF ELECTRICAL SHOCK do not use outdoors or on wet surface. Use for dry pickup only!
5. FOLLOW all electrical and safety codes, including the National Electric Code (NEC) and the Occupational Safety and Health Regulations (OSHA). Qualified personnel should make all electrical connections and wiring only.
6. DO NOT use the dust collector to pick up flammable or combustible liquids such as gasoline. NEVER use the dust collector near any flammable or combustible liquids.
7. USE the dust collector to pick up wood materials only. DO NOT use the dust collector to pick up metal shavings, dust, water, or parts.
8. NEVER use the dust collector to dissipate fumes or smoke. NEVER pick-up anything that is burning or smoking, such as cigarettes, matches or hot ashes.
9. USE only as described in this manual.
10. DO NOT pull the dust collector by the power cord. NEVER allow the power cord to come in contact with sharp edges, hot surfaces, oil or grease.
11. DO NOT unplug the dust collector by pulling on the power cord. ALWAYS grasp the plug, not the cord.
12. DO NOT handle the plug or dust collector with wet hands.
13. REPLACE a damaged cord immediately. DO NOT use a damaged cord or plug. If the dust collector is not operating properly, or has been damaged, left outdoors or has been in contact with water, return it to an Authorized Service Center for service.
14. DO NOT use the dust collector as a toy. DO NOT use near or around children.
15. DO NOT insert fingers or foreign objects into the dust intake ports. Keep hair, loose clothing, fingers, and all body parts away from openings and moving parts of the dust collector.
16. DO NOT use the dust collector without a filter bag and dust collection bag in place and properly secured.
17. DO NOT operate the dust collector with unused dust intake ports uncapped. ALWAYS cover exposed dust intake ports.
18. PERIODICALLY INSPECT dust and filter bags for any cuts, rips or tears. NEVER operate the dust collector with a damaged bag or vacuum hose.
19. The dust collector is designed for home use or light commercial duty ONLY!
20. CONNECT dust collector to a properly grounded outlet only. See Grounding Instructions.

**SAVE THESE INSTRUCTIONS**

# GROUNDING INSTRUCTIONS

The appliance must be grounded, if it should malfunction or breakdown, grounding provides a path of least resistance for electric current to reduce the risk of electric shock. This appliance is equipped with a cord having equipment-ground conductor and grounding plug. The plug must be inserted into an appropriate outlet that is properly installed and grounded in accordance with all local codes and ordinances.

## **WARNING –**

Improper connection of the equipment-grounding conductor can result in risk of electric shock. Check with a qualified electrician or service person if you are in doubt as to whether the outlet is properly grounded. Do not modify the plug provided with the appliance – if it will not fit the outlet; have a proper outlet installed by a qualified electrician.

## **For grounded, cord-connected appliances:**

This appliance is for use on a circuit having a normal rating more than 120 volt and is factory-equipped with a specific electric cord and plug to a proper electric circuit. Make sure that the appliance is connected to an outlet having the same configuration as the plug. No adaptor should be used with this appliance. If the appliance must be reconnected for use on a different type of electric circuit, qualified service personnel should make the reconnection.

## **For a permanently connected appliance:**

This appliance must be connected to a grounded metal, permanent wiring system; or an equipment - grounding conductor must be run with the circuit conductors and connected to the equipment grounding terminal or lead on the appliance.

# UNPACKING

Carefully unpack the dust collector from the shipping container.

**WARNING : DO NOT CONNECT THE DUST COLLECTOR TO THE POWER SOURCE UNTIL THE MACHINE IS COMPLETELY ASSEMBLED AND YOU HAVE READ AND UNDERSTAND THE ENTIRE OWNER'S MANUAL.**

Figure 2 illustrates the components after they are removed from the shipping container.

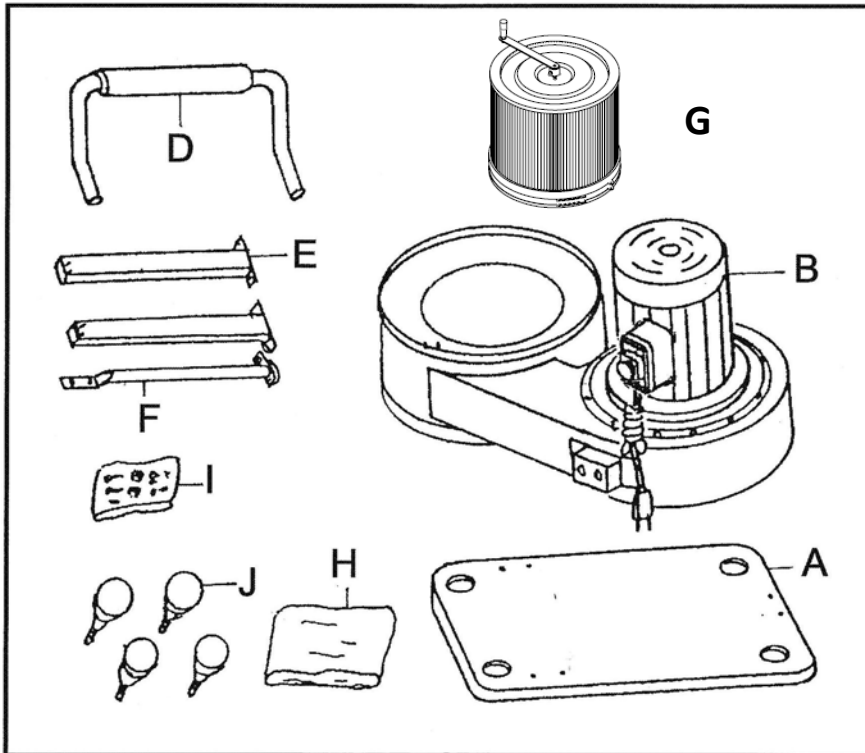


Fig. 2

- A. BASE PLATE
- B. COLLECTOR BODY WITH MOTOR
- C. UPPER BAG SUPPORT
- D. HANDLE BAR
- E. TWO COLLECTOR SUPPORT
- F. COLLECTOR SUPPORT
- G. FILTER CANISTER
- H. COLLECTOR BAG
- I. SCREW AND WASHERS
- J. FOUR CASTER

## ASSEMBLY

FIG.1

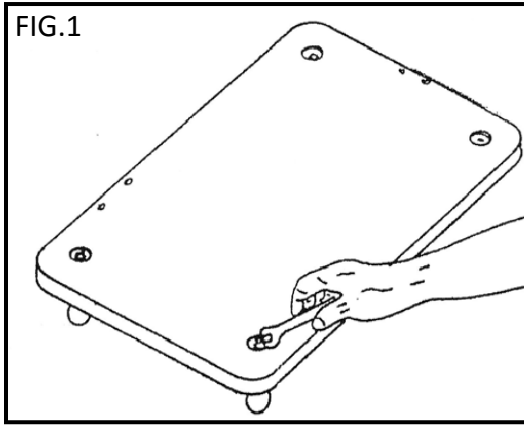


FIG.A



FIG.B.



### STEP.1

1. Put the castor wheels, line up the holes in the brackets with the predrilled holes to the extractor's base and secure with Hex bolts, see FIG.1.
2. Place a large washer over the 1/2" hex bolts and slide the bolt through the centre hole to the front of one of the wheels. Turn the wheel over and place a nylon washer then a thin washer down over the thread of the Hex bolt, see FIG.A.
3. Locate the 1/2" locking nuts and screw it onto the thread, then tighten using two spanners or open-ended sockets, see FIG.B.

### STEP.2

Place the round and rectangle supports on the base and install with six hex bolts.

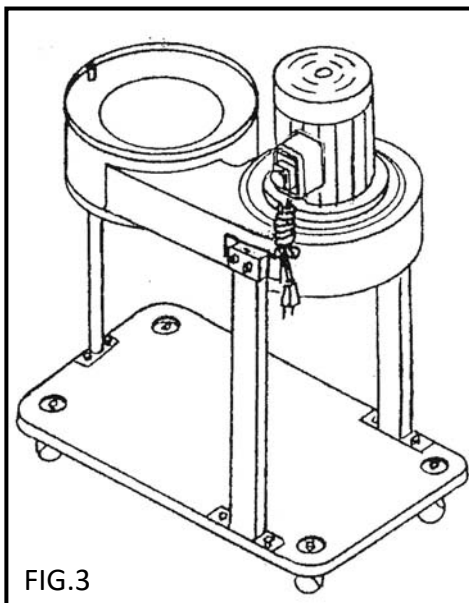
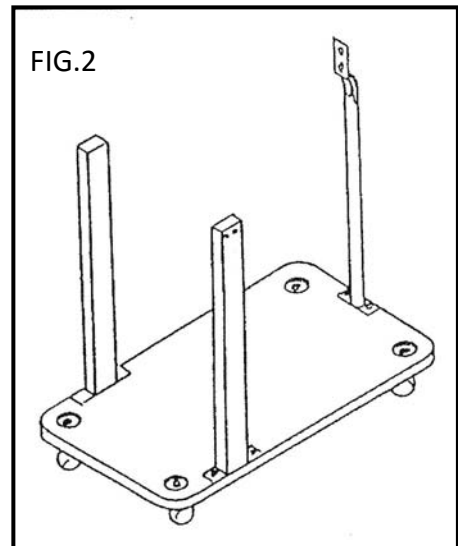


FIG.3

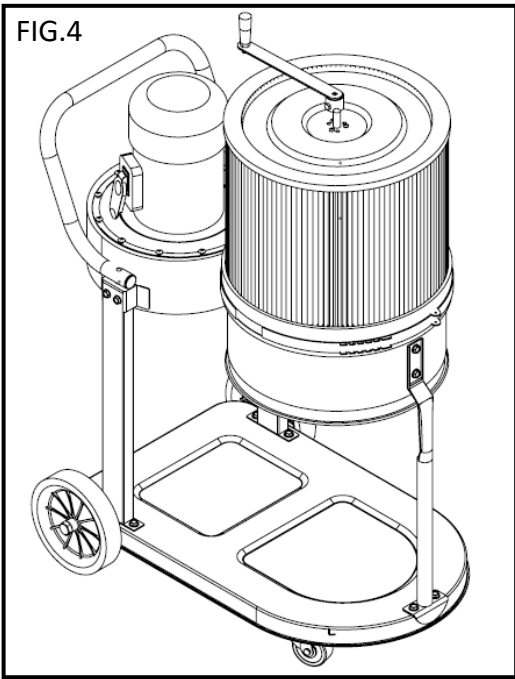
FIG.2



### STEP.3

Attach place the collector body on the top of the collector support and tighten with open end wrench as shown in FIG.2.

FIG.4



**STEP.4**

Locate the filter assembly filter retaining belts and foam seal bands. Locate the filter assembly, lower the filter down over the extractor opening until it's firmly down. Straighten the belt clamp, position the belt around the base of the filter and latch it down to hold and to seal the filter assembly as shown in FIG.4.

**STEP.4-1**

Locate the shaker paddle, insert the handle mounting over the paddle drive shaft making sure the clamping bolt is positioned over the machined face then tighten the bolt using the supplied spanner to secure the handle as shown in FIG.C.

FIG.C

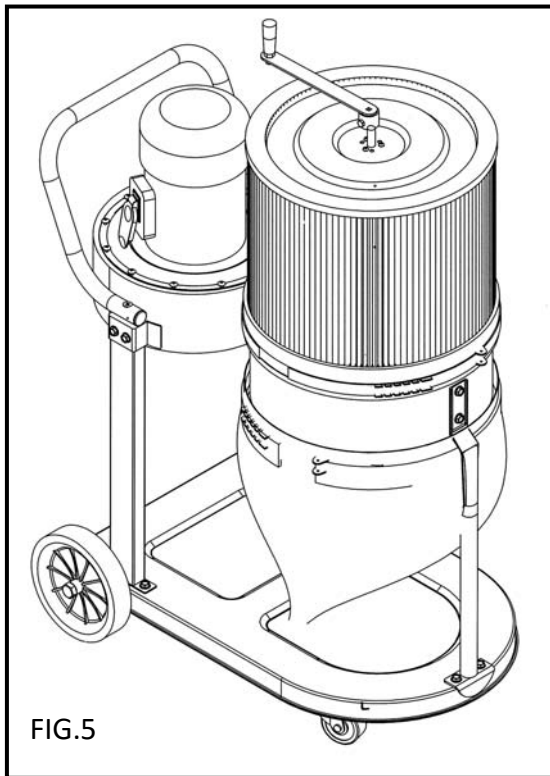
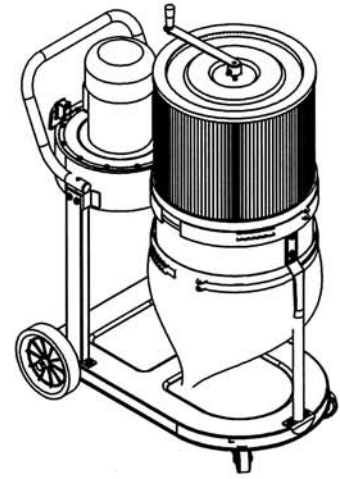
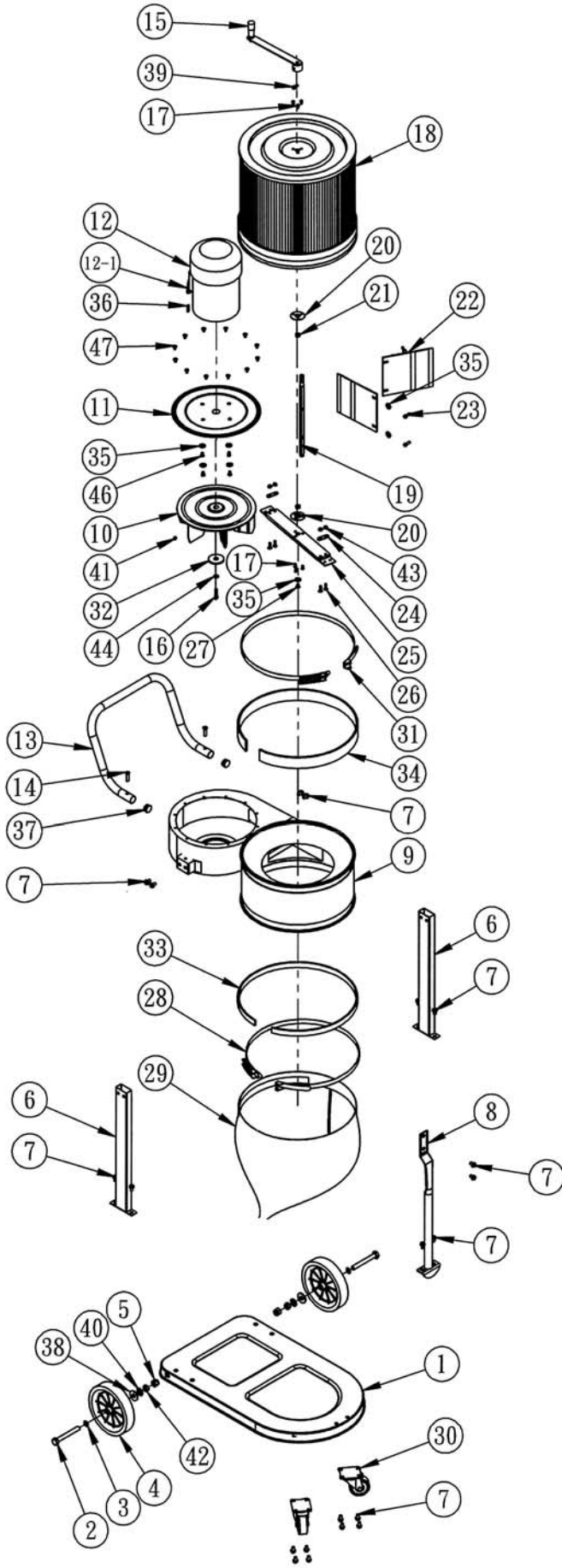


FIG.5

**STEP.5**

1. Hook the bag onto the steel hooks around the extractor housing to temporary hold the bag in place as shown in FIG.5.
2. Locate the belt clamp, rap the belt around the bag making sure the belt is positioned on top foam seal band then latch it down to hold and to seal the bag against the extractor.

CT-90H



A38 專用



## MI-11150 Parts List

No.	Description	Q'TY
MI-11150-1	Base	1
MI-11150-2	Hex Bolt 1/2" x 4"	2
MI-11150-3	Washer 1/2" x19	2
MI-11150-4	Wheel 7"	2
MI-11150-5	Lock Nut 1/2"	2
MI-11150-6	Square Support	2
MI-11150-7	Hex Bolt 5/16" x 1/2"	15
MI-11150-8	Support	1
MI-11150-9	Main Housing	1
MI-11150-10	Impeller 10"	1
MI-11150-11	Motor Plate	1
MI-11150-12	Motor	1
MI-11150-12-1	SWITCH	1
MI-11150-13	Handle	1
MI-11150-14	Hex Bolt 5/16" x 1-1/4"	2
MI-11150-15	Handle	1
MI-11150-16	Cap Screw M6*30	1
MI-11150-17	Phil. HD Screw M5 x 10	6
MI-11150-18	Canister Filter	1
MI-11150-18A	Canister Filter Assembly	1
MI-11150-19	Shafit	1
MI-11150-20	Bearing Fixing Plate	2
MI-11150-21	Bearing	2
MI-11150-22	Flapper	2
MI-11150-23	Hex Bolt M6 x20	4
MI-11150-24	Fixing Plate	2
MI-11150-25	Lower Plate	1
MI-11150-26	Phil. HD Screw M5 x 20	4
MI-11150-27	Phil. HD Screw M6 x 10	1
MI-11150-28	Belt Clamp	1
MI-11150-29	PE bag	1
MI-11150-30	Caster	2
MI-11150-31	Belt Clamp for Canister filter	1
MI-11150-32	Impeller Washer	1
MI-11150-33	Narrow Foam Strip 4 x 20mm	1
MI-11150-34	Wide Foam Strip 5 x42mm	1
MI-11150-35	Washer 1/4" x18	9
MI-11150-36	Key 5 x 5 x25	1
MI-11150-37	Tube Cap 1"	2
MI-11150-38	Wahser 1/2" x 34	2
MI-11150-39	Hex Bolt M6 x 16	1
MI-11150-40	Plastic Washer M13 x25	2
MI-11150-41	Set Screw 5/16" x 5/16"	1
MI-11150-42	Nut 1/2"	2
MI-11150-43	Nut M5	4
MI-11150-44	Spring Washer M6	1
MI-11150-46	Hex Bolt 1/4" x 3/8"	4
MI-11150-47	Phil. HD Screw M5 x 10	12