

# **MAGNUM**

## **I N D U S T R I A L**

MODEL NO.: MI-11050



***OPERATING MANUAL***

# TABLE OF CONTENTS

General Safety Instructions	1
MI-11050 Specific Safety Instructions	2
Features	3
Physical Features	4
Proper Grounding	5
Unpacking & Inventory	6
Assembly	6
Test Run	8
Operation	8
Maintenance	8
Lubrication	8
Impeller	9
Machine Storage	9
Emptying Collection Bag	9
Parts Diagram	10
Parts List	10

# GENERAL SAFETY INSTRUCTIONS

Extreme caution should be used when operating all power tools. Know your power tool, be familiar with its operation, read through the owner's manual and practice safe usage procedures at all times.

**CONNECT** your machine only to the matched and specific power source.

**ALWAYS** wear safety glasses respirators, hearing protection and safety shoes, when operating your machine.

**DO NOT** wear loose clothing or jewelry when operating your machine.

**GROUND ALL TOOLS** if tool is equipped with three-prong plug, it should be plugged into a three-hole electrical receptacle. If an adapter is used to accommodate a two-prong receptacle, the adapter plug must be attached to a known ground. Never remove the third prong.

**A SAFE ENVIRONMENT** is important. Keep the area free of dust, dirt and other debris in the immediate vicinity of your machine.

**KEEP CHILDREN AND VISITORS AWAY.** All children and visitors should be kept a safe distance from work area.

**NEVER** leave a tool unattended while the machine is in operation.

**DON'T OVERREACH.** Keep proper footing and balance at all times.

**DISCONNECT** the power source when changing drill bits, hollow chisels, router bits, shaper heads, blades, knives or making other adjustments or repairs.

**SECURE WORK.** Use clamps or a vise to hold work when practical. It's safer than using your hand and frees both hands to operate tool.

**BE ALERT! DO NOT** use prescription or other drugs that may affect your ability or judgment to safely use your machine.

**MAINTAIN TOOLS IN TOP CONDITION.** Keep the blades sharp and aligned. Follow instructions for lubricating and changing accessories.

**DISCONNECT TOOLS** before servicing and when changing accessories such as blades, bits, cutters, etc.

**ALWAYS** keep all safety guards in place and ensure their proper function.

**ALWAYS** operate machinery in well ventilated areas and use wood dust collection systems whenever possible.

**ALWAYS** read and understand the user manual before starting - the machine. Failure to do so, could result in serious personal injury or damage to the machine.

# MI-11050 WALL MOUNT DUST COLLECTOR SPECIFIC SAFETY INSTRUCTIONS

Read and understand the instruction manual before operating dust collector. Basic precautions listed below should always be followed when using your dust collector to reduce the risk of injury, electrical shock or fire.

The MI-11050 is designed to collect sawdust only.

**Never** operate the dust collector with all blast gates closed.

**Never** attempt to use this dust collector to vacuum water or any other liquids.

**Always** disconnect the dust collector from its power source when changing or emptying the bags.

**Never** try to use this dust collector to collect large wood pieces.

**Always** be sure that the collection and filter bags are securely fastened to collector body.

**Never** attempt to use this dust collector to collect metal materials such as screws, nails or other metal parts.

**Do not** place your hand or tools near the open inlet while operation. Serious personal injury or damage to the machine can happen.

**Always** wear respiratory and safety glasses when emptying dust from the collection bags.

**Always** connect dust collector to the matched power source.

## IMPORTANT

The safety instructions given above can not be complete because the environment in every shop is different. Always consider safety first as it applies to your individual working conditions.

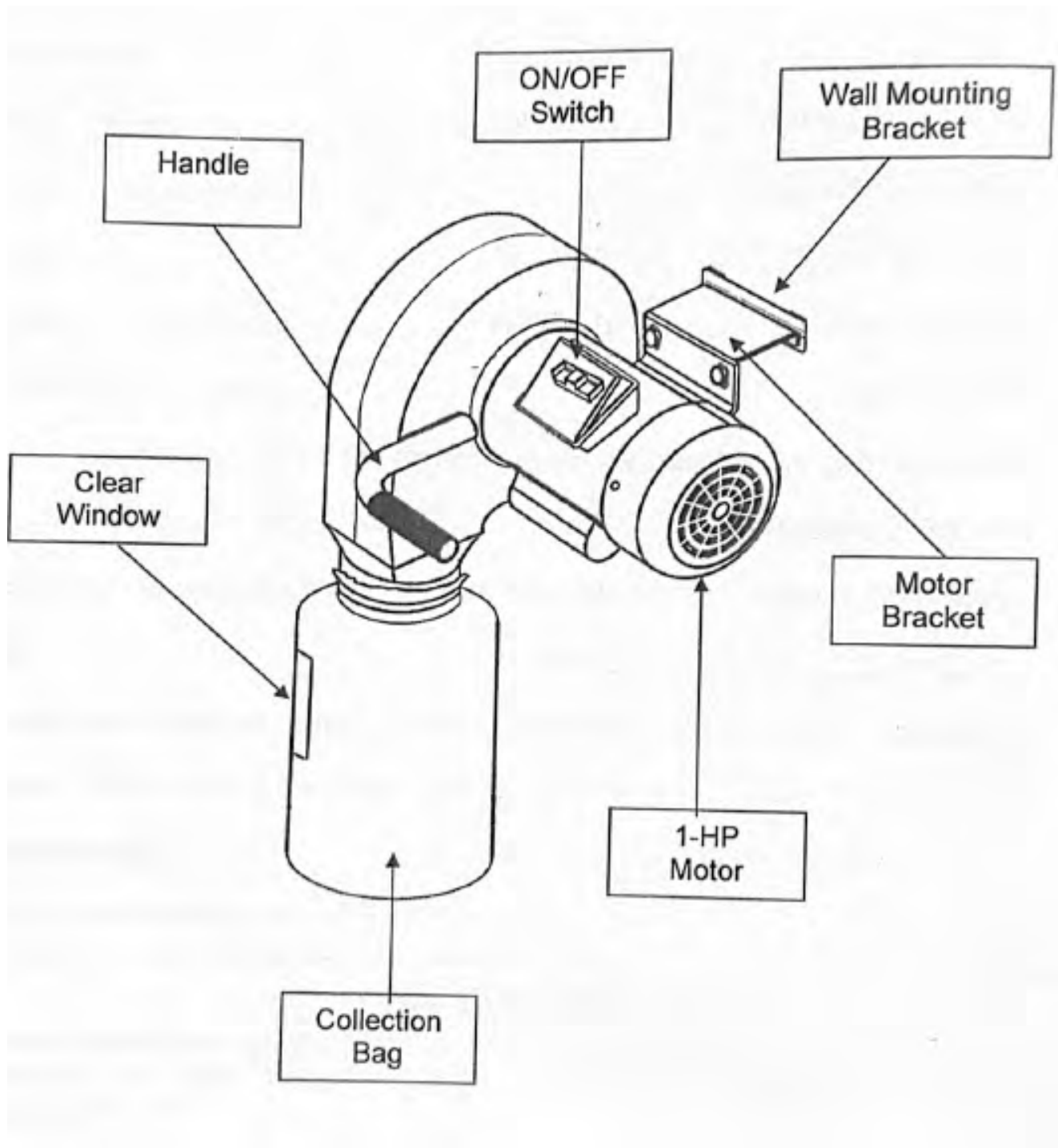
## **MODEL MI-11050 1-HP WALL MOUNT DUST COLLECTOR**

By following the instructions and procedures laid out in this owner's manual you will

receive years of excellent service and satisfaction. The MI-11050 is a professional tool and like all power tools, proper care and safety procedures should be adhered to.

Motor	1-HP, 110-V, 60-Hz, Single Phase
Motor Speed	3450 RPM
Bearings	Sealed & Permanently Lubricated
Cord Length	7Feet
Air Suction Capacity	537 CFM
Max. Static Pressure	7.2"
Main Inlet Size	4"
Impeller Type	Radial Fin
Impeller Size	10"
Collection Bag with a Clear Window and Bottom Zip	
Powder Coated Paint	Yes
Overall Dimensions	20" x 18" x 45"
Weight	52 lbs
Warranty	3 Years

# MI-11050 WALL MOUNT DUST COLLECTOR PHYSICAL FEATURES



# PROPER GROUNDING

Grounding provides a path of least resistance for electric current to reduce the risk of electric shock.

To prevent electrical hazards, have a qualified electrician ensure that the line is properly wired.

This machine is for use on a normal 110 volts circuit. Make sure that the machine is connected to an outlet having the same configuration as the plug. If an adaptor plug is used, it must be attached to the metal screw of the receptacle.

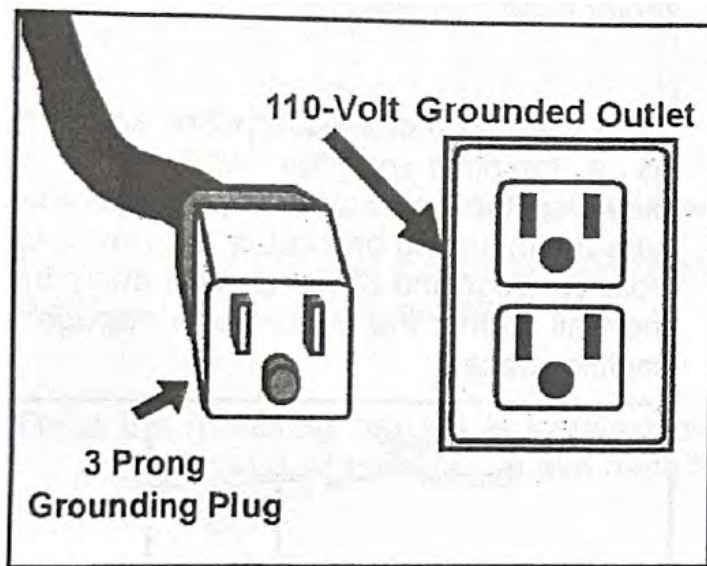


Figure-1 110-Volts Outlet for MI-11050

## WARNING

Improper connection of the equipment-grounding conductor can result in a risk of electric shock. Check with a qualified electrician if you are in doubt as to whether the outlet is properly grounded.

It is strongly recommended not to use extension cords with your MI-11050. Always try to position your machine close to the power source so that you do not need to use extension cords.

If it necessary to use an extension cord, make sure the extension cord does not exceed 50-feet in length and the cord is 14-gauge to prevent motor damage. Check for heat build up periodically.

Your MI-11050 should be wired with a 3-prongs plug fitting a 3 prong grounded receptacles as shown in figure-1. Do not remove the grounding prong to fit it into a 2-pronged outlet. Always check with a qualified electrician if you are in doubt.

## UNPACKING

The machine is properly packaged and shipped completely in a carton for safe transportation. When unpacking, carefully inspect the carton and ensure that nothing has been damaged during transit. Open it and check that the machine and the parts are in good condition.

	CONTENTS	QTY
A	Collector Body & Motor Assembly	1
B	Motor Bracket	1
C	Wall Mounting Bracket	1
D	Dust Collection Bag	1
E	Bag Clamp	1
F	Foam Strip	1
G	Wrench	1
H	Hardware Bag	1

While doing inventory, if you can not find any part, check if the part has already been installed on the machine. Some parts come pre-assembled for shipping purposes.

## ASSEMBLY

To assemble your MI-11050 Wall Mount Dust Collector, follow the instructions given below.

Align the holes on the motor bracket with the holes on the motor base and attach the motor bracket to the motor base using four bolts provided as shown in figure-1.

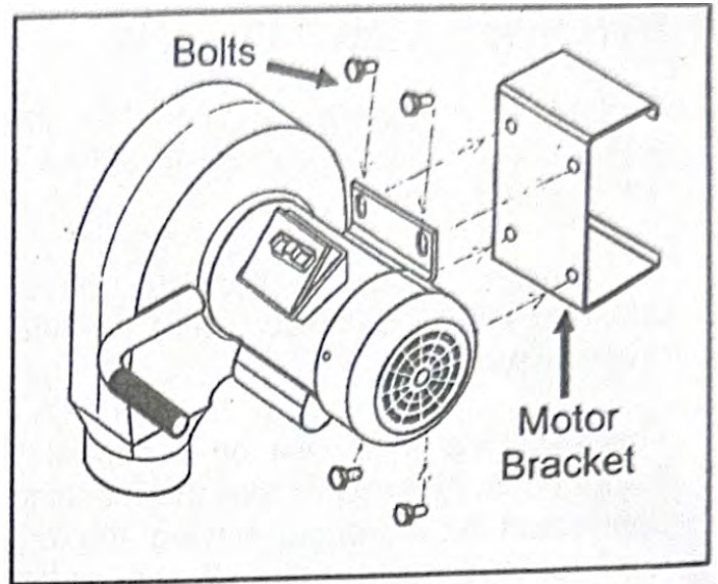


Figure-1 Attaching motor bracket to the motor base

Take the wall mounting bracket and use it as a template on the wall. Mark the mounting the holes with a pen and make sure the mounting bracket is 44" (minimum) from the floor and 6" (minimum) away from the wall so that the motor have enough air cooling space.

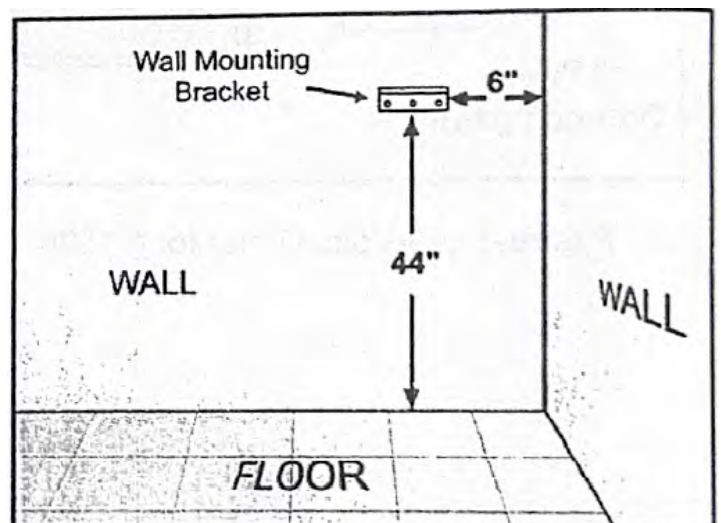


Figure-2 Installing the wall mounting bracket

If you are installing the wall mounting bracket on a concrete or masonry wall, use lag screws with lag shield or anchor studs.

If you are mounting the mounting bracket to a framed wall, the bracket must be attached to a support board that is wide enough to be mounted on two wall studs and having the capacity of holding the dust collector with collection bag full of dust. Secure the support board to the wall studs, using lag screws. See figure-3.

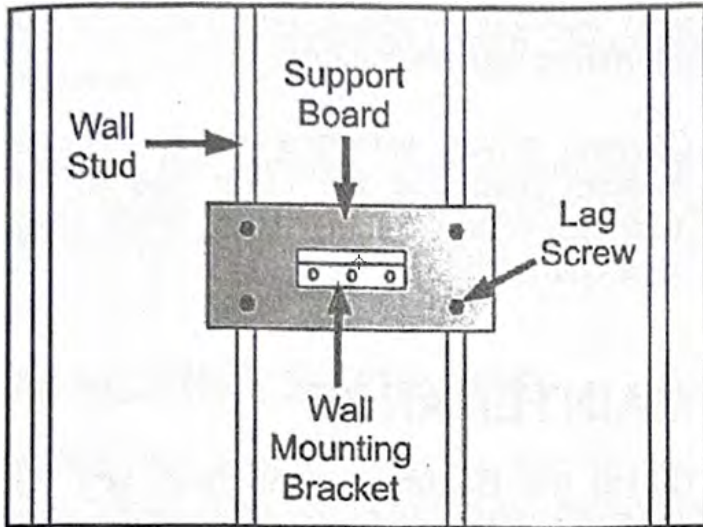


Figure-3 Installing wall mounting bracket on a support board on the wall studs

Once the mounting bracket is installed on the wall, lift the dust collector up and hang it on the bracket.

Install the adhesive foam strip (provided) on the dust collector outlet port as shown in figure-4.

Installing the dust collection bag and secure it using bag clamp (provided). See figure-5.

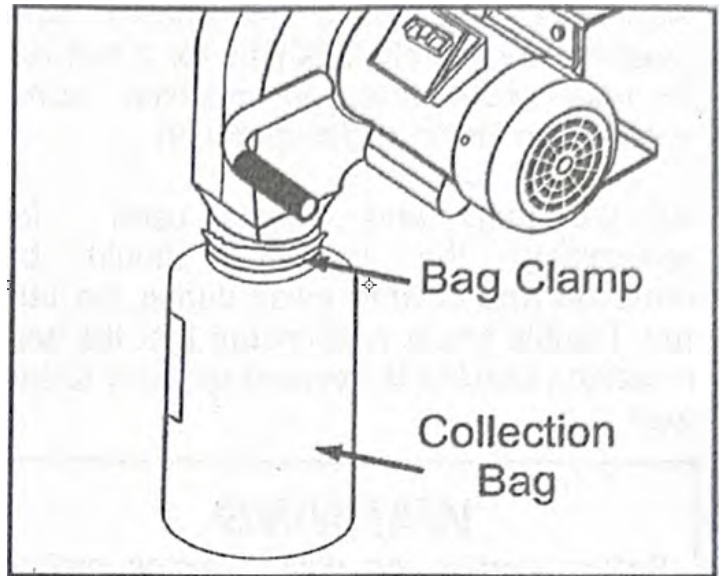


Figure-5 Installing the collection bag



Figure-4 Installing adhesive foam strip

## TEST RUN

Now that you have assembled your machine completely, it is time for a test run to make sure that the machine works properly and is ready for operation.

All the tools and objects used for assembling the machine should be removed and cleared away during the test run. Double check and ensure that the wall mounting bracket is secured properly to the wall.

## WARNING

**Before starting the dust collector, make sure that you have read and understood the manual and you are familiar with the functions and safety features on this machine. Failure to do so may cause serious personal injury.**

Plug the cord to the power outlet and turn the dust collector ON. See if the dust collector operates correctly.

During the test run if there is any unusual noise coming from the machine or the machine vibrates excessively, shut off the machine immediately and disconnect the cord from the power source. Check all the parts you have assembled once again and investigate to find out the problem.

If the dust collector operates correctly, turn the machine OFF and remove the safety key on the switch.

Once the safety key is removed, turn the switch ON.

The machine should not run with the safety key removed.

## OPERATION

MI-11050 wall mount dust collector designed to be used with one machine at a time.

Operating this dust collector is simple and easy. Position the machine close to the dust collector, making sure that it is not interfering with each other.

Connect a hose with one end to the dust collector inlet and the other end to the machine outlet. Secure both ends using hose clamps.

## MAINTENANCE

**During the life of your machine, you need to practice some regular maintenance to keep your saw in peak performance condition.**

## WARNING

**Make sure the machine is turned off and the cord is disconnected from the power source before servicing and removing/replacing any components on the machine.**

Check the dust collector daily for loose mounting bolts/screws, damaged wires, worn switch, full collection bag and any other unsafe condition.

## LUBRICATION

The shaper has sealed lubricated bearings in the motor housing and arbour assembly and do not require any lubrication.

## **IMPELLER**

The impeller screw might get loosened with use after a period of time. Check the impeller once a month to ensure that impeller screws are tight, securing the impeller on the shaft.

Make sure the machine is turned off and the cord is disconnected from the power source.

Access the impeller screws through the inlet cover on the machine and tighten to secure the impeller on the shaft.

## **MACHINE STORAGE**

When the dust collector is not in use, disconnect the cord from the power source and store the machine in a dry place. Do not expose the machine to rain.

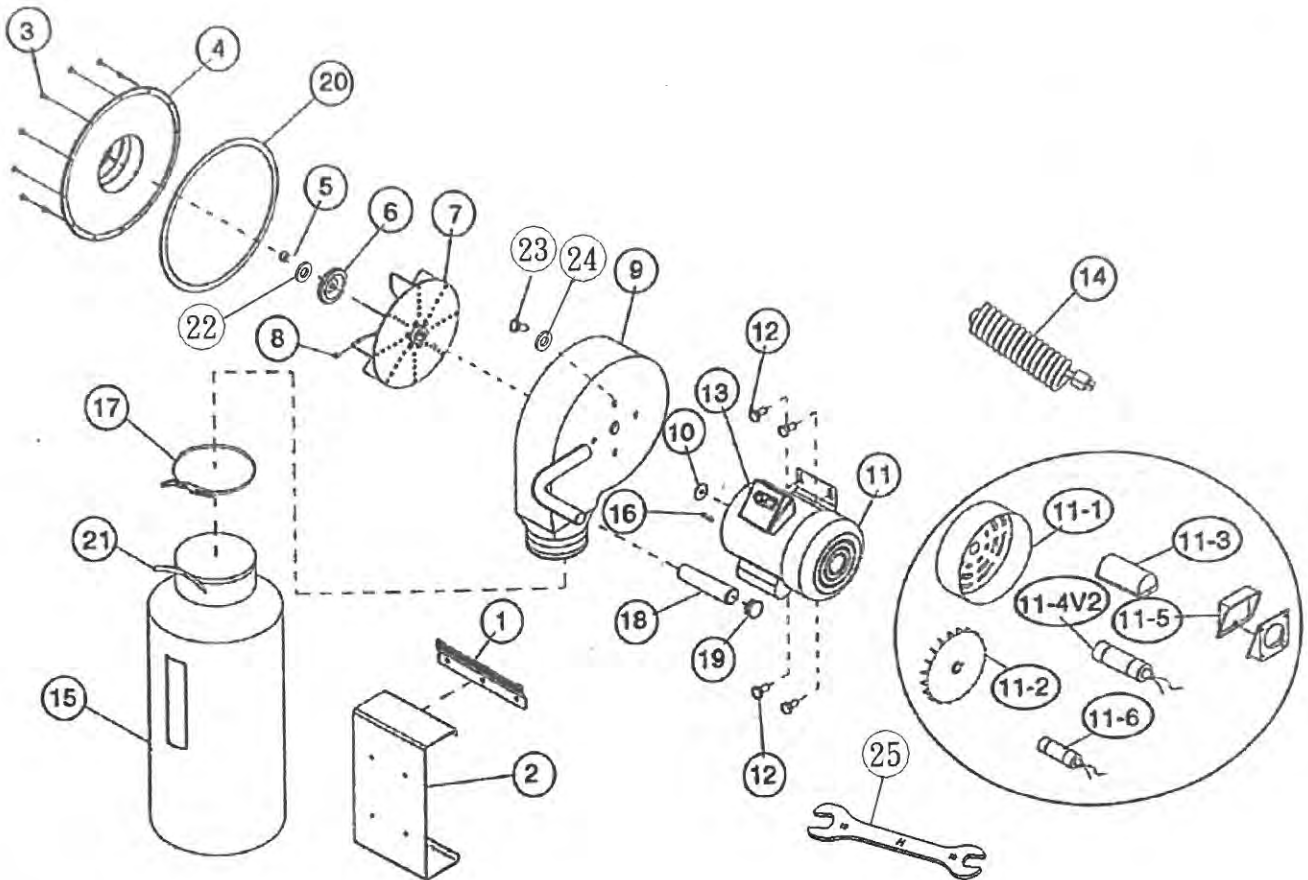
Make sure to keep the cord away from potential damage sources such as; sharp objects, chemicals, heat sources and water.

## **EMPTYING COLLECTION BAG**

The collection bag on your dust collector must be checked and emptied regularly. The machine operates at a much higher level of efficiency when the collection bag is empty.

The MI-11050 features a collection bag with a clear window and a bottom zip. The clear window allows operator to see the amount of dust in the bag and the bottom zip makes bag-emptying easy.

# PARTS LIST FOR MI-11050



## PARTS LIST FOR MI-11050

PARTS NO.	DESCRIPTION	PARTS NO.	DESCRIPTION
MI-11050-01	WALL MOUNTING BRACKET	MI-11050-11-6	CAPACITOR 30M 250V V2.09.11
MI-11050-02	MOTOR BRACKET	MI-11050-12	FLANGE BOLT 1/4-20 X 1/2
MI-11050-03	TAP SCREW 3/16 X 3/8"	MI-11050-13	PADDLE SWITCH W/KEY
MI-11050-04	INLET COVER	MI-11050-14	POWER CORD 16AWG 3C 5-15
MI-11050-05	CAP SCREW M6-1 X 30 LH	MI-11050-15	COLLECTION BAG 13-1/2" X 24"
MI-11050-06	IMPELLER WASHER 6MM	MI-11050-16	KEY 5 X 5 X 25
MI-11050-07	IMPELLER 10"	MI-11050-17	BAG CLAMP
MI-11050-08	SET SCREW 5/16-18 X 3/8	MI-11050-18	SPONGE HANDLE
MI-11050-09	COLLECTOR BODY W/HANDLE	MI-11050-19	HANDLE END CAP
MI-11050-10	MOTOR SHAFT SPACER	MI-11050-20	INLET COVER GASKET
MI-11050-11	MOTOR 1HP 110/220V 1PH	MI-11050-21	FOAM STRIP 4 X 20 X 430MM
MI-11050-11-1	FAN COVER V2.06.08	MI-11050-22	SPRING WASHER 1/4"
MI-11050-11-2	MOTOR FAN V2.06.08	MI-11050-23	PHLPHD SCR 1/4 X 1/2"
MI-11050-11-3	CAPACITOR COVER V2.06.08	MI-11050-24	WASHER 1/4 X 18
MI-11050-11-4	CAPACITOR 200M 125V V2.09.11	MI-11050-25	OPEN END WRENCH 10-12MM
MI-11050-11-5	JUNCTION BOX V2.06.08		