

MAGNUM INDUSTRIAL

10" Cabinet Saw with Router Table MI-51180



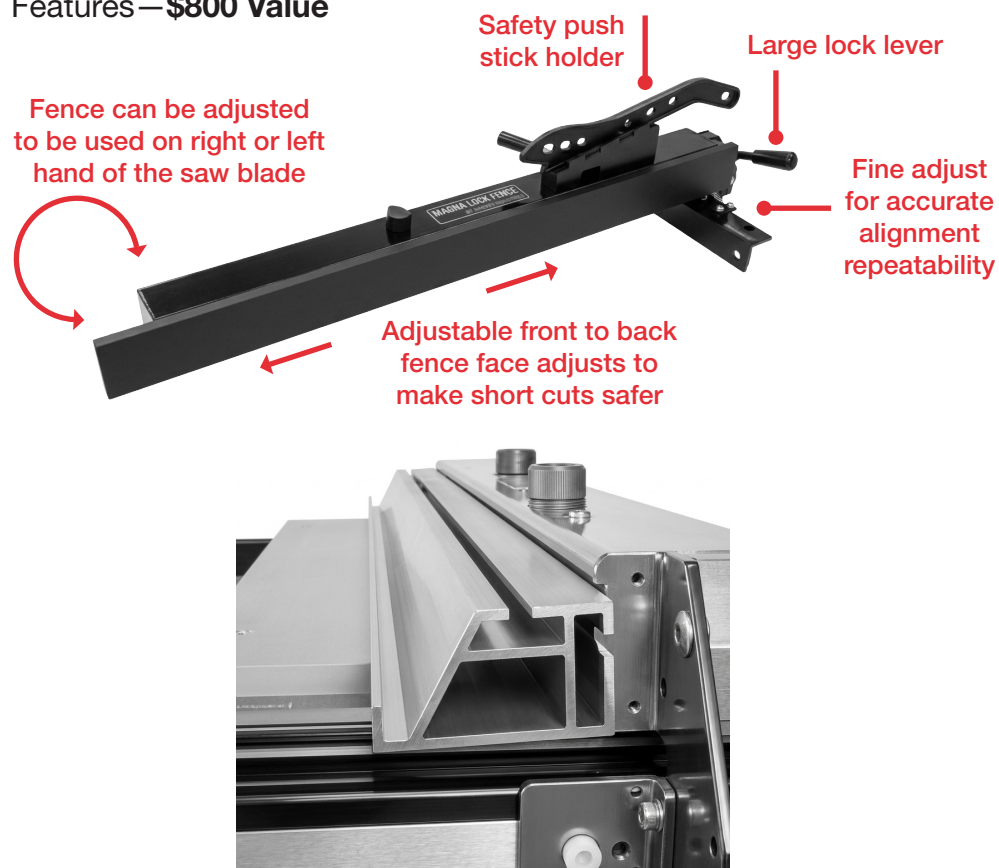
**Router-Plate
Ready**

**1.74 HP
110V Motor**

Accessories

Included:

MI-99502 Magna-Lock Deluxe European Style Fence with Multi Features—\$800 Value



Fence face can be flipped to expose thin edge for laminate or sheet goods trimming

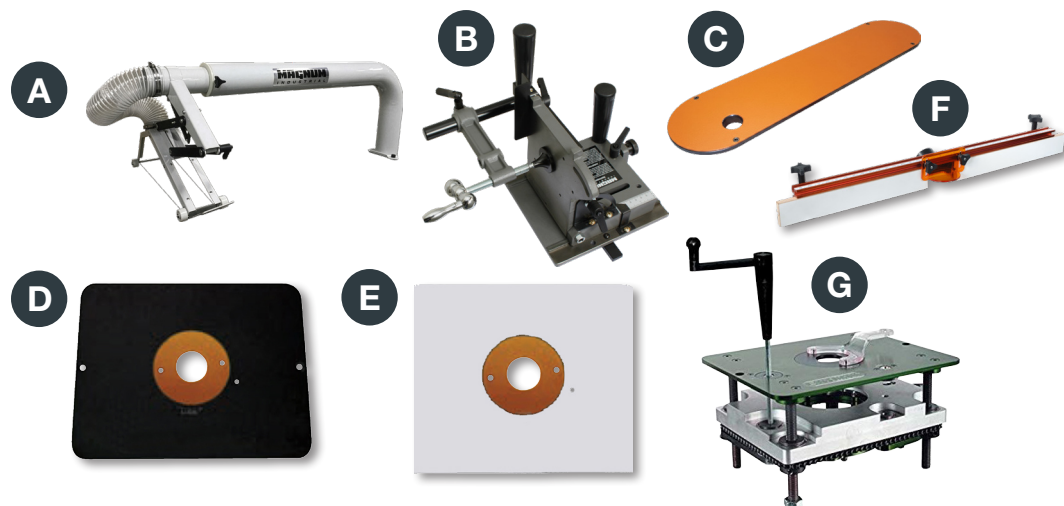
The Magnum Industrial 10" Cabinet Saw with Router Table is our premier saw package for hobbyists and small shops. Powered by a true 1.75 HP motor, the MI-51180 is one of the most capable 110V cabinet saws on the market. It arrives prewired for 110V — no rewiring needed. This model includes a router-table extension wing, a deluxe rip-fence assembly, and base-mounted trunnions for stable, vibration-free operation. Silicone-coated trunnion guides ensure smooth blade height adjustments, while a forged one-piece blade arbor minimizes runout for long-term durability and precision. For shops that need more torque, the MI-51180 can be converted to 220V, further enhancing its versatility.

Features

- A true 1.75 HP fully enclosed motor
- Prewired for 110V and easily converts to 220V for added torque
- Router-plate ready with an included router-table extension wing (insert sold separately)
- Self-aligning T-square fence minimizes binding and keeps cuts accurate
- Extra-large table insert and built-in arbor lock for safe blade changes
- Upgraded dust-collection design improves airflow and efficiency
- Safety-focused features include knee-knock power switch and anti-kickback removable riving knife

Specifications

Motor (prewired 115V)	1.75 HP, 115/230V, 1 PH
Blade diameter (saw blade not included)	10" (254 mm)
Arbor diameter	5/8" (16 mm)
Arbor speed	4,200 RPM
Max cutting depth at 45°	2-1/8" (77 mm)
Max cutting depth at 90°	3-1/8" (79 mm)
Max cut to right of blade with use of fence	31" (787 mm)
Max dado cut	13/16" (20 mm)
Dust port diameter	4" (102 mm)
Table height	34" (862 mm)
Table size	27" x 20" (686 x 512 mm)
Table w/extensions	27" x 40" (686 x 1,020 mm)
Net weight	313 lbs (142 kg)



Optional accessories (sold separately):

- A. MI-52100 Overarm Blade Guard
- B. MI-99005 Tenon Jig
- C. MI-99511 Zero Clearance Insert
- D. MI-99540 Phenolic Router Plate
- E. MI-99541 Aluminum Router Plate
- F. MI-99535 Deluxe Router Table Fence
- G. MI-42100 Router Lift